

4

3

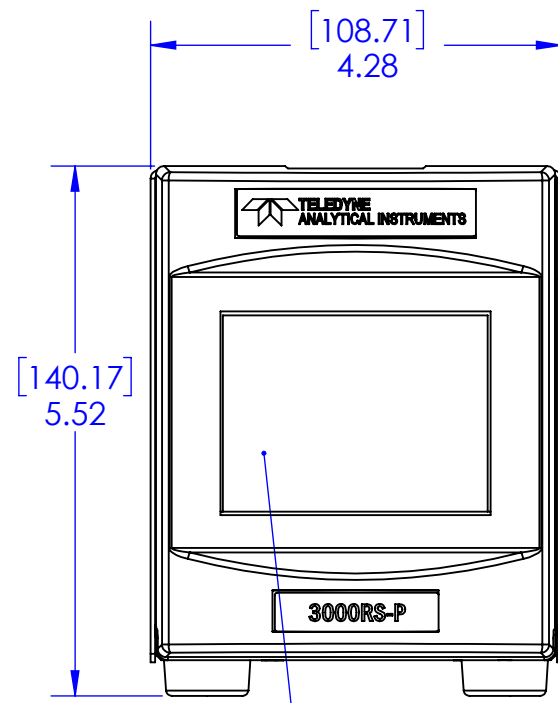
2

1

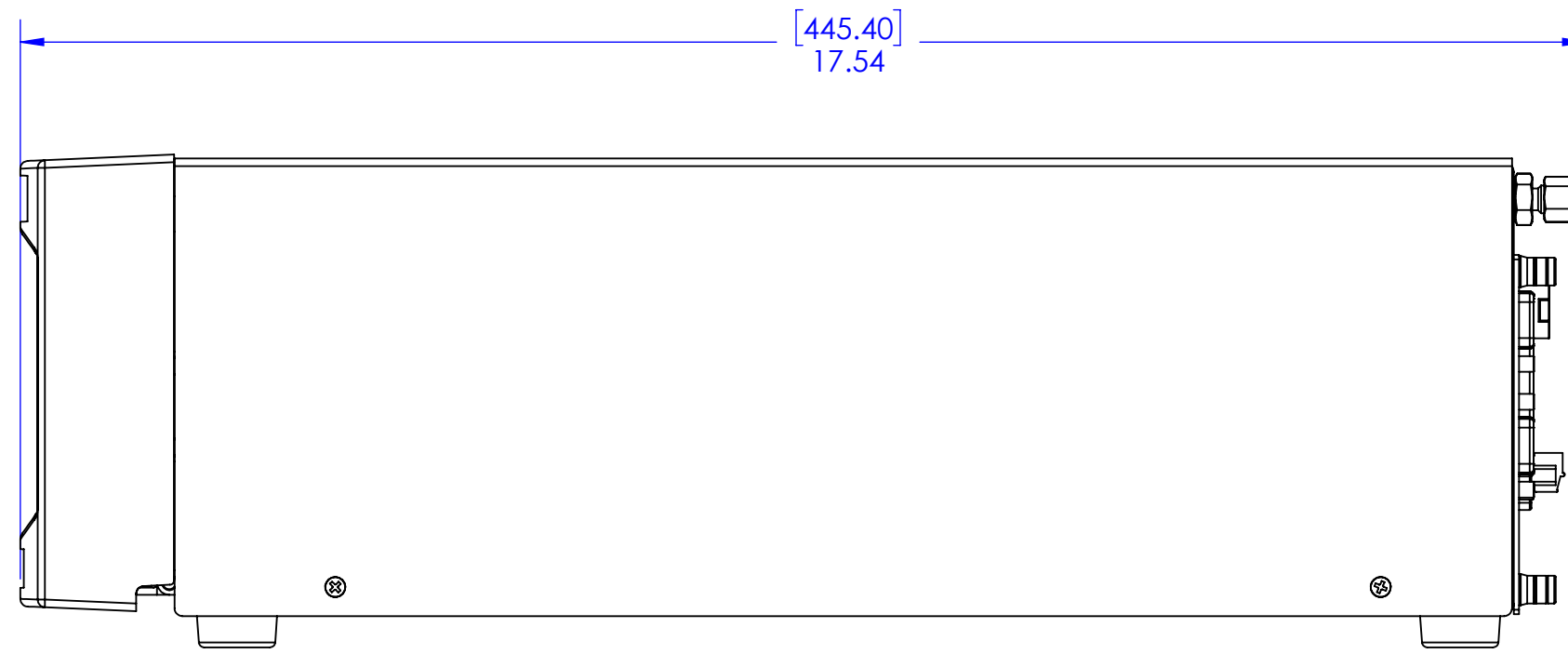
NOTES: UNLESS OTHERWISE SPECIFIED.

DEMENTIONS, MM [], INCHES

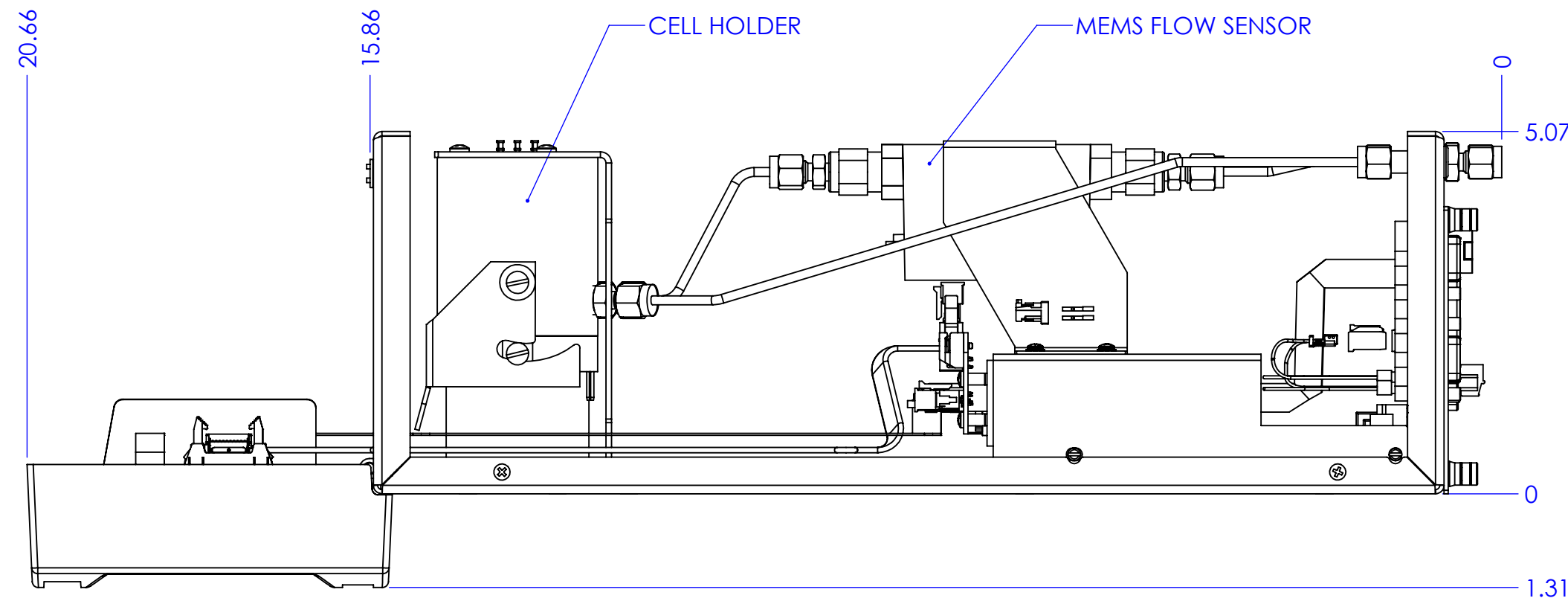
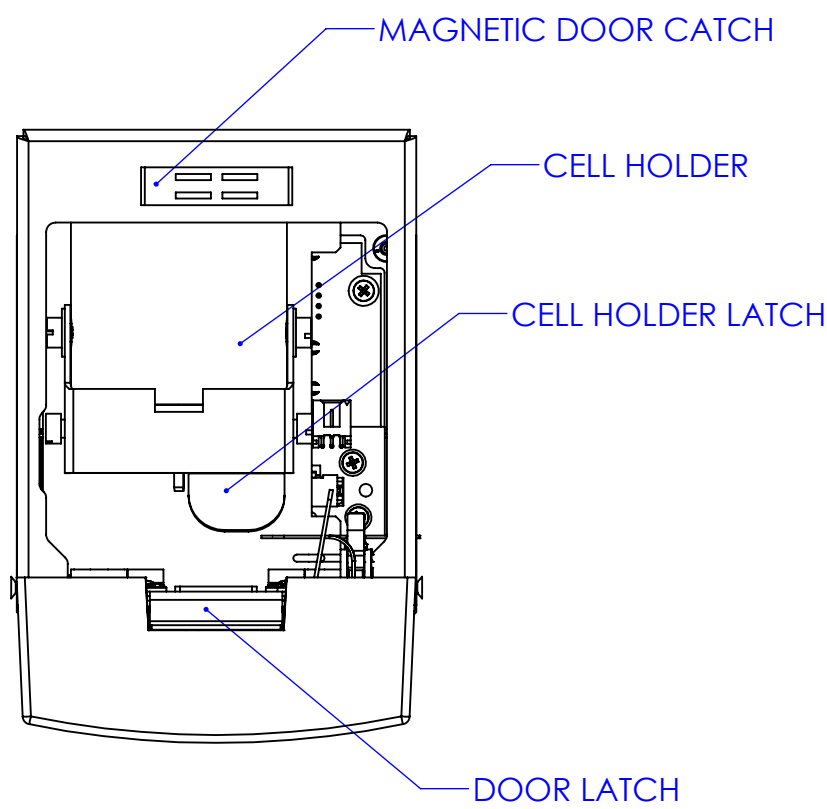
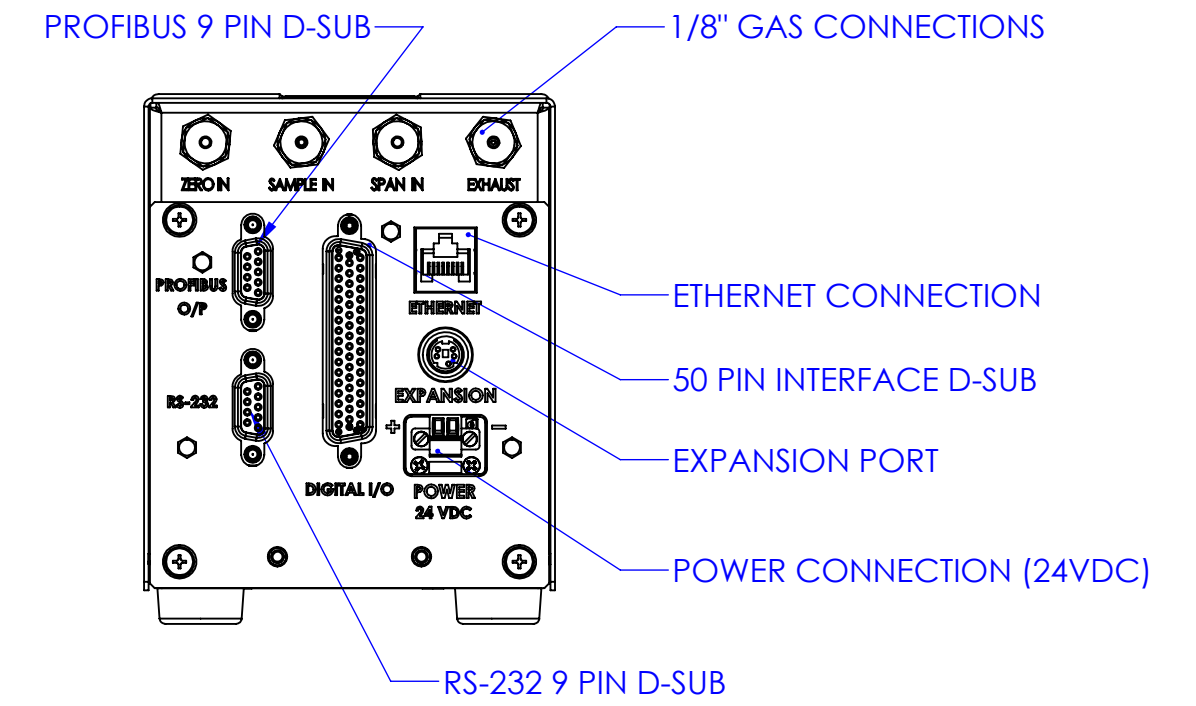
REV	DESCRIPTION	DATE	APP.	REV BY
0	INITIAL RELEASE	10/12/23	KFP	



TOUCH SCREEN USER INTERFACE DISPLAY



OPTIONAL SINGLE COVER WITH FEET, AND OPTIONAL AUTO-CAL VAVLES



3000RS-T WITH OPEN DOOR

Use and Disclosure of Data
Information contained herein is classified as EAR99 under the U.S. Export Administration Regulations. Export, reexport or diversion contrary to U.S. law is prohibited.

DO NOT SCALE DRAWING		BILL OF MATERIALS	
TOLERANCE UNLESS OTHERWISE SPECIFIED: ANGULAR ±1/2°		THIS DRAWING IS THE PROPERTY OF TELEDYNE ANALYTICAL INSTRUMENTS AND CONTAINS CONFIDENTIAL INFORMATION. IT IS NOT TO BE COPIED, REPRODUCED OR USED WITHOUT WRITTEN PERMISSION.	
LINEAR { .X = ±0.1 .XX = ±0.02 .XXX = ±0.010		 Teledyne Analytical Instruments A Teledyne Technologies Company CITY OF INDUSTRY, CALIFORNIA 91748, USA	
SIGNATURES	DATE	TITLE	SCALE
S/ DRFT: KFP	10/12/23	RS SERIES SINGLE MODULE OUTLINE	1:5
N/ CHK:			SIM
P/ APPR:			SHEET
O/ ENGR: KFP			1 OF 1
F/ S.O.		MATL. NOTED	REV 0
REFERENCE CAD ID C96118-0		DWG NO. C96118	

4

3

2

1