

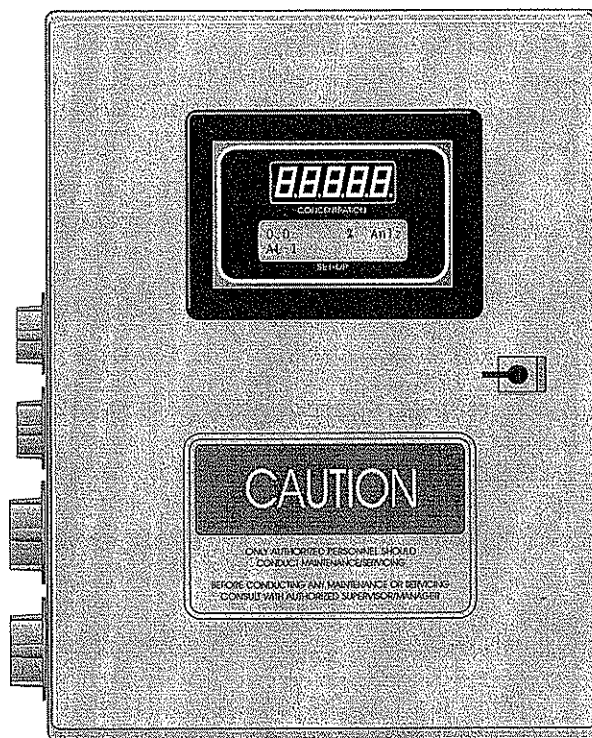
**Use and Disclosure of Data**  
Information contained herein is classified as EAR99 under the  
U.S. Export Administration Regulations.  
Export, reexport or diversion contrary to U.S. law is prohibited.

# OPERATING INSTRUCTIONS

# Model 3010TBC

## Trace Oxygen Analyzer

Bulkhead Mount Control Unit, PN D-66190A\*



P/N M66260  
9/10/12  
ECO# 03-0126

**DANGER**

HIGHLY TOXIC AND OR FLAMMABLE LIQUIDS OR GASES MAY BE PRESENT IN THIS MONITORING SYSTEM.

PERSONAL PROTECTIVE EQUIPMENT MAY BE REQUIRED WHEN SERVICING THIS SYSTEM.

HAZARDOUS VOLTAGES EXIST ON CERTAIN COMPONENTS INTERNALLY WHICH MAY PERSIST FOR A TIME EVEN AFTER THE POWER IS TURNED OFF AND DISCONNECTED.

ONLY AUTHORIZED PERSONNEL SHOULD CONDUCT MAINTENANCE AND/OR SERVICING. BEFORE CONDUCTING ANY MAINTENANCE OR SERVICING CONSULT WITH AUTHORIZED SUPERVISOR/MANAGER.



# DECLARATION OF CONFORMITY

APPLICATION OF COUNCIL  
DIRECTIVE

: 89 / 336 / EEC  
73/23/EEC

STANDARDS TO WHICH  
CONFORMITY IS DECLARED

: EN55011-Class A Group I  
EN50082-2  
EN61010-1

MANUFACTURER'S NAME

: TELEDYNE ANALYTICAL  
INSTRUMENTS

MANUFACTURER'S ADDRESS

: 16830 Chestnut Street  
City of Industry, CA 91748-1020  
U.S.A.

TYPE OF EQUIPMENT

: Oxygen Analyzer

EQUIPMENT CLASS

: ISM Class A Group 1

MODEL NUMBER

: 3010TBC

I, THE UNDERSIGNED, HEREBY DECLARE THAT THE EQUIPMENT  
SPECIFIED ABOVE CONFORMS TO THE ABOVE STANDARD(S) PER  
89 / 336 / EEC AND 73 / 23 / EEC.

PLACE: City of Industry, CA

SIGNATURE: 

FULL NAME: Stephen Broy

POSITION: Engineering Manager



# EU DECLARATION OF CONFORMITY

APPLICATION OF COUNCIL : 2014/34/EU  
ATEX DIRECTIVE

STANDARDS TO WHICH : EN 60079-0: 2012  
CONFORMITY IS DECLARED EN 60079-11: 2012

MANUFACTURER'S NAME : Teledyne Analytical Instruments

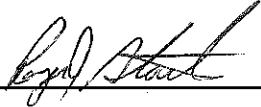
MANUFACTURER'S ADDRESS : 16830 Chestnut Street  
City of Industry, CA 91748  
U.S.A.

TYPE OF EQUIPMENT : Oxygen Probe Types TOP2 and TOP4

EQUIPMENT CLASS : Ex II 1G Ex ia IIC T6 Ga  
( $-20^{\circ}\text{C} \leq T_a \leq +40^{\circ}\text{C}$ )

MODEL NUMBER : TOP2, TOP4 and TOP4L

I, the undersigned, hereby declare that the equipment specified above conforms to the referenced standards (s) per 2014/34/EU and have been type-approved by SGS Baseefa Limited, Staden Lane, Buxton, Derbyshire SK17 9RZ, UK. Baseefa notified body identification number: 1180. Mark: Ex II 1G. Code: Ex ia IIC T6 Ga ( $-20^{\circ}\text{C} \leq T_a \leq +40^{\circ}\text{C}$ ). EC Type Certificate Number: BAS01ATEX1421X

SIGNATURE: 

FULL NAME: Roger Starlin

POSITION: QA Manager

Date: 2-2-2017

PLACE: City of Industry, California

SIGNATURE: 

FULL NAME: Angel Alegria

POSITION: New Products Manager

Date: 2/02/17

PLACE: City of Industry, California



**Copyright © 1999 Teledyne Analytical Instruments**

All Rights Reserved. No part of this manual may be reproduced, transmitted, transcribed, stored in a retrieval system, or translated into any other language or computer language in whole or in part, in any form or by any means, whether it be electronic, mechanical, magnetic, optical, manual, or otherwise, without the prior written consent of Teledyne Analytical Instruments, 16830 Chestnut Street, City of Industry, CA 91749-1580.

**Warranty**

This equipment is sold subject to the mutual agreement that it is warranted by us free from defects of material and of construction, and that our liability shall be limited to replacing or repairing at our factory (without charge, except for transportation), or at customer plant at our option, any material or construction in which defects become apparent within one year from the date of shipment, except in cases where quotations or acknowledgements provide for a shorter period. Components manufactured by others bear the warranty of their manufacturer. This warranty does not cover defects caused by wear, accident, misuse, neglect or repairs other than those performed by Teledyne or an authorized service center. We assume no liability for direct or indirect damages of any kind and the purchaser by the acceptance of the equipment will assume all liability for any damage which may result from its use or misuse.

We reserve the right to employ any suitable material in the manufacture of our apparatus, and to make any alterations in the dimensions, shape or weight of any parts, in so far as such alterations do not adversely affect our warranty.

**Important Notice**

This instrument provides measurement readings to its user, and serves as a tool by which valuable data can be gathered. The information provided by the instrument may assist the user in eliminating potential hazards caused by his process; however, it is essential that all personnel involved in the use of the instrument or its interface, with the process being measured, be properly trained in the process itself, as well as all instrumentation related to it.

The safety of personnel is ultimately the responsibility of those who control process conditions. While this instrument may be able to provide early warning of imminent danger, it has no control over process conditions, and it can be misused. In particular, any alarm or control systems installed must be tested and understood, both as to how they operate and as to how they can be defeated. Any safeguards required such as locks, labels, or redundancy, must be provided by the user or specifically requested of Teledyne at the time the order is placed.

Therefore, the purchaser must be aware of the hazardous process conditions. The purchaser is responsible for the training of personnel, for providing hazard warning methods and instrumentation per the appropriate standards, and for ensuring that hazard warning devices and instrumentation are maintained and operated properly.

Analytical Instruments, the manufacturer of this instrument, cannot accept responsibility for conditions beyond its knowledge and control. No statement expressed or implied by this document or any information disseminated by the manufacturer or its agents, is to be construed as a warranty of adequate safety control under the user's process conditions.

**Table of Contents**

---

Specific Model Information ..... iv

Preface ..... v

Part I: Control Unit, Model TBC.....Part I: 1-1

Part II: Intrinsic Safe Barriers and  
Remote Probe .....Part II: 1-1

Appendix ..... A-1



## Specific Model Information

The instrument for which this manual was supplied may incorporate one or more options not supplied in the standard instrument. Commonly available options are listed below, with check boxes. Any that are incorporated in the instrument for which this manual was supplied are indicated by a check mark in the box.

**Instrument Serial Number:** \_\_\_\_\_

**The instrument with the above serial number has the following Options:**

- 3010TB-C** Three gas inputs, for sample, zero and span gases, with three solenoid-actuated gas-flow control valves built in. Valves are automatically synchronized to the analyzer's electronic control sequences.
- 3010TB-F** Built-in flame arresters for Groups C and D service.
- 3010TB-G** Built-in flame arresters for Groups C and D service, plus gas-control valves as in -C option, above.
- 3010TB-H** Built-in flame arresters for Group B (hydrogen) service.
- 3010TB-I** Built-in flame arresters for Group B (hydrogen) service, plus gas-control valves as in -C option, above.
- 3010TB-V** Gas flow through the cell block is driven by a vacuum downstream from the cell block, instead of by pressure upstream. The internal restrictor is located downstream from the cell block.

**Cell Class\*** \_\_\_\_\_ (L-2C standard).

**Enter Class Designation**

\* See *Part II, Chapter 2* and/or any addendum that may be attached to this manual for cell specifications.

## **Preface**

---

### **Overview**

The Analytical Instruments Model 3010TBC Trace Oxygen Analyzer is a versatile microprocessor-based instrument for detecting parts-per-million (ppm) levels of oxygen in a variety of background gases. It is a “split architecture” instrument. This means that a general purpose Control Unit, designed for nonhazardous areas only, remotely controls a specially designed Analysis Unit, or remote probe, that can operate in a hazardous area.

Part I of this manual covers the Model 3010TBC General Purpose NEMA 4 Bulkhead mount Control Unit only. This Control Unit is for outdoor/indoor use in a nonhazardous environment. The Analysis Units (or Remote Probes) it controls, can be designed for a variety of hazardous environments. Part II of this manual covers the 3010TC Analysis Unit.

### **Typical Applications**

A few typical applications of the Model 3010TBC are:

- Monitoring inert gas blanketing
- Air separation and liquefaction
- Chemical reaction monitoring
- Semiconductor manufacturing
- Petrochemical process control
- Quality assurance
- Gas analysis certification.

## Model and Part Number Designations

The part numbers are the most specific identification. When using this manual for operation, maintenance, or ordering parts, check the part numbers on your Instruments to be sure of a match. Where an underscore ( \_ ) appears in a model number, the unit has more than one application. For example, 3010T\_C means that the same unit is part of the 3010TAC and the 3010TBC series and consists of two sections; Control Unit and Remote Analysis or Sensor Probe.

- 3010TA:** NEC Type Trace Oxygen Analyzer with flush mount Control Unit, **PN D-64596A** and a 3010T Explosion Proof Analysis Unit, **PN D-65478**.
- 3010PA:** NEC Type Percent Oxygen Analyzer with flush mount Control Unit, **PN D-64596B** or **C** and 3010P Explosion Proof Analysis Unit, **PN D-65479**.
- 3010TB:** NEC type Trace Oxygen Analyzer with bulkhead mount Control Unit, **PN D-66190A**, and a 3010T Explosion Proof Analysis Unit, **PN D-65478**.
- 3010PB:** NEC type Percent Oxygen Analyzer with bulkhead mount Control Unit, **PN D-66190 B** or **C**, and a 3010T Explosion Proof Analysis Unit, **PN D-65479**.
- 3010TAC:** CENELEC type Trace Oxygen Analyzer with flush mount Control Unit, **PN D-66192A**, and a 3010T\_C Remote Sensor, **PN D-66193**.
- 3010PAC:** CENELEC type Percent Oxygen Analyzer with flush mount Control Unit, **PN D-66192 B** or **C**, and a 3010P\_C Remote Sensor, **PN D-66191**.
- 3010TBC:** CENELEC type Trace Oxygen Analyzer with bulkhead mount Control Unit, **PN D-66194A**, and a 3010T\_C Remote Sensor, **PN D-66193**.
- 3010PBC:** CENELEC type Percent Oxygen Analyzer with bulkhead mount Control Unit, **PN D-66194 Bor C**, and a 3010P\_C Remote Sensor, **PN D-66191**.
- Options:** See *Specific Model Information* sheet, on page *iv* for details.

---

## Main Features of the Analyzer

The Model 3010TBC series Oxygen Analyzers are sophisticated yet simple to use. The main features of these analyzers include:

- A 2-line alphanumeric display screen, driven by microprocessor electronics, that continuously prompts and informs the operator.
- High resolution, accurate readings of oxygen content: from low ppm levels through 25%. Large, bright, meter readout.
- Stainless steel cell block is standard equipment.
- Advance design Micro-Fuel Cell sensor, Specially designed model for trace analysis, has a one year warranty and an expected lifetime of two years.
- Versatile analysis over a wide range of applications.
- Microprocessor based electronics: 8-bit CMOS microprocessor with 32 kB RAM and 128 kB ROM.
- Three user definable output ranges allow best match to users process and equipment: 0-10 ppm through 0-250,000 ppm for trace analysis.
- Air-calibration range for convenient spanning at 20.9 %.
- Auto Ranging allows analyzer to automatically select the proper preset range for a given measurement. Manual override allows the user to lock onto a specific range of interest.
- Two adjustable concentration alarms and a system failure alarm.
- Self-diagnostic testing, at startup and on demand, with continuous power-supply monitoring.
- Two way RFI protection.
- RS-232 serial digital port for use with a computer or other digital communications device.
- Analog outputs for Concentration and Analysis Range: 0-1 V dc standard. Isolated 4-20 mA dc standard.
- Compact and versatile design: flush-panel, rack-mountable, or bulkhead mounted Control Units available.

Model 3010TBC complies with all of the requirements of the Commonwealth of Europe (CE) for Radio Frequency Interference, Electro-magnetic Interference (RFI/EMI), and Low Voltage Directive (LVD).

The Analysis Unit is Intrinsically safe and CENELEC approved. The Control Unit is suitable for general purpose areas. The probe is CENELEC approved (certification code EEXIA IICT6).

The following International Symbols are used throughout the Instruction Manual for your visual and immediate warnings and when you have to attend CAUTION while operating the instrument:



**STAND-BY**, Instrument is on Stand-by,  
but circuit is active



**GROUND**  
**Protective Earth**



**CAUTION**, The operator needs to refer to the manual for further information. Failure to do so may compromise the safe operation of the equipment.



**CAUTION**, Risk of Electric Shock

---

OPERATING INSTRUCTIONS

# **Model 3010TBC**

*Oxygen Analyzer*

## **Part I: Control Unit**

NEMA 4 Bulkhead Mount

Part Numbers: D-66190A

**Table of Contents**

---

**1 Introduction**

1.1 Overview ..... 1-1  
1.2 Control Unit Inner Control Panel ..... 1-1  
1.3 Recognizing Difference Between LCD & VFD ..... 1-3  
1.4 Control Unit Interface Panel ..... 1-4

**2 Operational Theory**

2.1 Introduction ..... 2-1  
2.2 Electronics and Signal Processing ..... 2-1

**3 Installation**

3.1 Unpacking the Control Unit ..... 3-1  
3.2 Mounting the Control Unit ..... 3-1  
3.3 Electrical Connections ..... 3-3  
3.4 Testing the System ..... 3-12

**4 Operation**

4.1 Introduction ..... 4-1  
4.2 Using the Data Entry and Function Buttons ..... 4-2  
4.3 The *System* Function ..... 4-3  
    4.3.1 Tracking the O<sub>2</sub> Readings during Calibration ..... 4-4  
    4.3.2 Setting up an Auto-Cal ..... 4-5  
    4.3.3 Password Protection ..... 4-6  
        4.3.3.1 Entering the Password ..... 4-7  
        4.3.3.2 Installing or Changing the Password ..... 4-8  
    4.3.4 Logout ..... 4-9  
    4.3.5 System Self-Diagnostic Test ..... 4-9  
    4.3.6 Version Screen ..... 4-10  
    4.3.7 Showing Negative Oxygen Readings ..... 4-11  
4.4 The *Zero* and *Span* Functions ..... 4-11  
    4.4.1 Zero Cal ..... 4-12

4.4.1.1	Auto Mode Zeroing .....	4-12
4.4.1.2	Manual Mode Zeroing .....	4-13
4.4.1.3	Cell Failure .....	4-13
4.4.2	Span Cal .....	4-14
4.4.2.1	Auto Mode Spanning .....	4-14
4.4.2.2	Manual Mode Spanning .....	4-15
4.4.3	Span Failure .....	4-16
4.5	The <i>Alarms</i> Function .....	4-16
4.6	The <i>Range</i> Function .....	4-19
4.6.1	Setting the Analog Output Ranges .....	4-19
4.6.2	Fixed Range Analysis .....	4-20
4.7	The <i>Analyze</i> Function .....	4-21
4.8	Signal Output .....	4-21

**5 Maintenance**

5.1	Fuse Replacement .....	5-1
5.2	System Self Diagnostic Test .....	5-2
5.3	Major Internal Components .....	5-3
5.4	VFD Display .....	5-4

**A Appendix**

	Model 3010TBC Specifications .....	A-3
--	------------------------------------	-----



# Model 3010TBC Trace Oxygen Analyzer

---

## **Introduction**

---

### **1.1 Overview**

The Analytical Instruments Model 3010TBC Analyzer Control Unit, together with a 3010T Analysis Unit, is a versatile microprocessor-based instrument for detecting trace amounts of oxygen in a variety of gases.

Part I, this part, of this manual covers the Model 3010TBC series General Purpose NEMA 4 Bulkhead mount Control Units. (The Analysis Unit is covered in Part II of this manual.) The Control Unit is for indoor/outdoor use in a nonhazardous environment only. The Analysis Units (or Remote Probes) it controls can be designed for a variety of hazardous environments.

### **1.2 Control Unit Inner Control Panel**

The standard 3010TB Control Unit is housed in a rugged NEMA 4 metal case with all remote controls and displays accessible from the inner control panel. See Figure 1-1. The inner control panel has a digital meter, an alphanumeric display, and thirteen buttons for operating the analyzer.

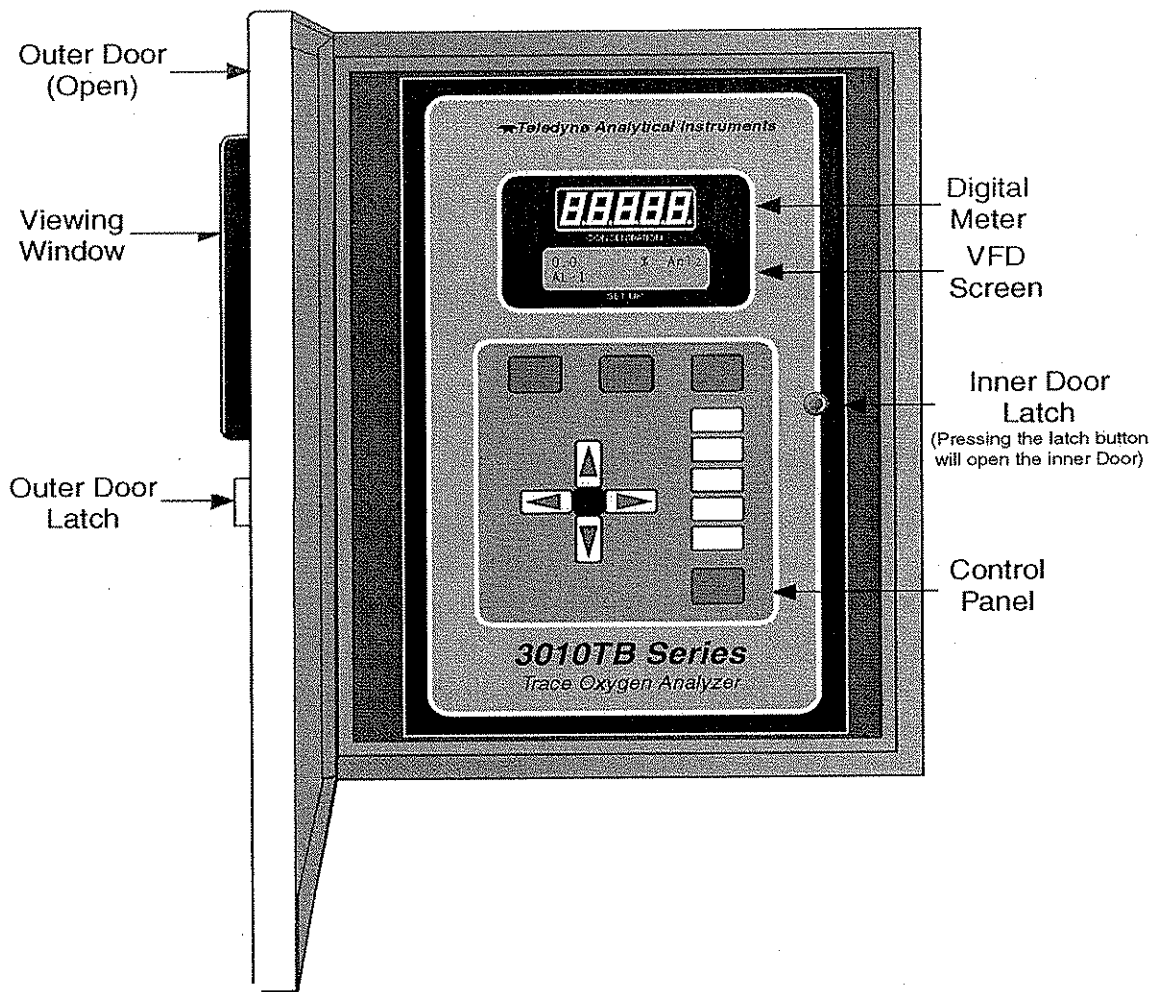


Figure 1-1: Front of Unmounted Control Unit

**Function Keys:** Six touch-sensitive membrane switches are used to change the specific function performed by the analyzer:

- **Analyze** Perform analysis for oxygen content of a sample gas.
- **System** Perform system-related tasks (described in detail in chapter 4, *Operation*).
- **Span** Span calibrate the analyzer.
- **Zero** Zero calibrate the analyzer.
- **Alarms** Set the alarm setpoints and attributes.
- **Range** Set up the 3 user definable ranges for the instrument.


---

**Data Entry Keys:** Six touch-sensitive membrane switches are used to input data to the instrument via the alphanumeric VFD display:

- **Left & Right Arrows** Select between functions currently displayed on the VFD screen.
- **Up & Down Arrows** Increment or decrement values of functions currently displayed.
- **Enter** Moves VFD display on to the next screen in a series. If none remains, returns to the *Analyze* screen.
- **Escape** Moves VFD display back to the previous screen in a series. If none remains, returns to the *Analyze* screen.

**Digital Meter Display:** The meter display is a LED device that produces large, bright, 7-segment numbers that are legible in any lighting. It is accurate across all analysis ranges. The -TA models produce continuous readout from 0-10,000 ppm and then switch to continuous percent readout from 1-25 %.

**Alphanumeric Interface Screen:** The VFD screen is an easy-to-use interface between operator and analyzer. It displays values, options, and messages that give the operator immediate feedback.

 **Standby Button:** The Standby turns off the display and outputs, but circuitry is still operating.

**CAUTION:** *The power must be disconnected to fully disconnect power from the instrument. When chassis is exposed or when access door is open and power cable is connected, use extra care to avoid contact with live electrical circuits .*



**Access Door:** For access to the electronics and interface panel, the front panel swings open when the latch in the upper right corner of the panel is pressed all the way in with a narrow gauge tool. Accessing the main circuit board and other electronics requires unfastening the rear panel screws and sliding the unit out of the case.

### 1.3 Recognizing Difference Between LCD & VFD

LCD has *GREEN* background with *BLACK* characters. VFD has *DARK* background with *GREEN* characters. In the case of VFD - *NO CONTRAST ADJUSTMENT IS NEEDED.*

### 1.4 Control Unit Interface Panel

The Control Unit interface panel, shown in Figure 1-2, contains the electrical terminal blocks for external inputs and outputs. The input/output functions are described briefly here and in detail in the *Installation* chapter of this manual.

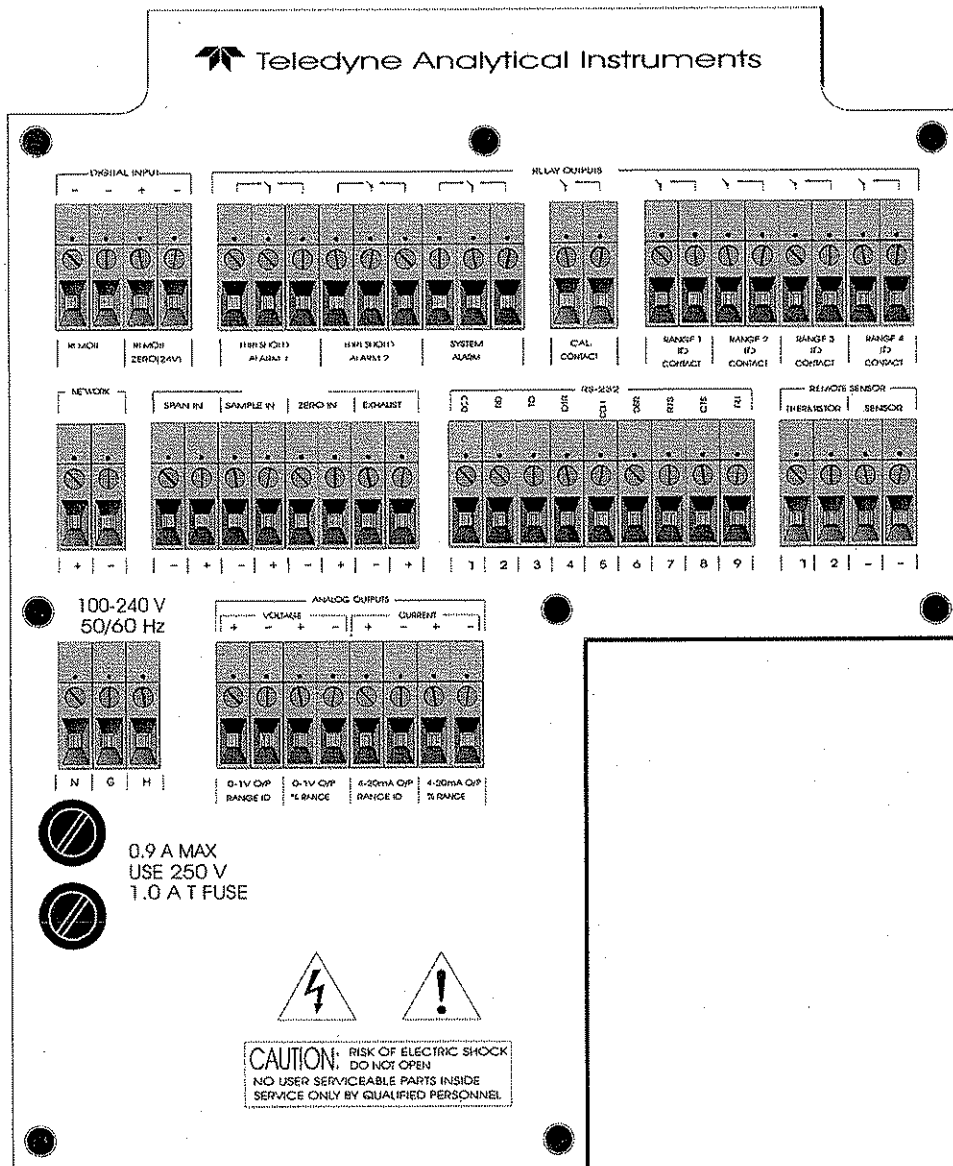


Figure 1-2: Model 3010TB Rear Panel

- 
- **Power Connection** AC power source, 100-240VAC, 50/60 Hz
  - **Analog Outputs** 0-1 V dc concentration and 0-1 V dc range ID. Isolated 4-20 mA dc and 4-20 mA dc range ID.
  - **Alarm Connections** 2 concentration alarms and 1 system alarm.
  - **RS-232 Port** Serial digital concentration signal output and control input.
  - **Remote Probe** Provides all electrical interconnect to the Analysis Unit or Remote Probe.
  - **Remote Span/Zero** Digital inputs allow external control of analyzer calibration.
  - **Calibration Contact** To notify external equipment that instrument is being calibrated and readings are not monitoring sample.
  - **Range ID Contacts** Four separate, dedicated, range relay contacts. Low, Medium, High, Cal.
  - **Remote Probe** Interfaces with an Analysis Unit or Remote Probe (external sensor/sample system).
  - **Network I/O** Serial digital communications for local network access. For future expansion. Not implemented at this printing.

**Note:** If you require highly accurate Auto-Cal timing, use external Auto-Cal control where possible. The internal clock in the Model 3010TBC is accurate to 2-3 %. Accordingly, internally scheduled calibrations can vary 2-3 % per day.



## Operational Theory

---

### 2.1 Introduction

The Model 3010TBC Trace Oxygen Analyzer Control Unit uses an 80C31 microcontroller with 32 kB of RAM and 128 kB of ROM to control all signal processing, input/output, and display functions for the Model 3010TBC analyzer. (The sample system and Micro-Fuel Cell sensor are covered in Part II, *Analysis Unit*, in this manual.) System power is supplied from a universal power supply module designed to be compatible with any international power source.

### 2.2 Electronics and Signal Processing

All of the Analyzer electronics are located on Printed Circuit Board (PCB) assemblies inside the Control Unit chassis. The PCB locations are illustrated in section 5, *Maintenance*.

Refer to Figure 2-1, *Block Diagram of the 3010TB CU Electronics*:

In the presence of oxygen, the sensor (in the Analysis Unit) generates a current. A current to voltage amplifier (in the Control Unit) converts this current to a voltage.

The second stage amplifier amplifies the voltage. It also uses a signal from the thermistor (which is physically located in the Analysis Unit cell block) to provide temperature compensation for the sensor signal. The thermistor is a temperature dependent resistance that changes the gain of the amplifier in proportion to the temperature changes in the block. This thermistor signal compensates for the change in the cell output due to the temperature changes. The result is a signal that is temperature independent. The output from the second stage amplifier is sent to an 18-bit analog to digital converter controlled by the microprocessor.



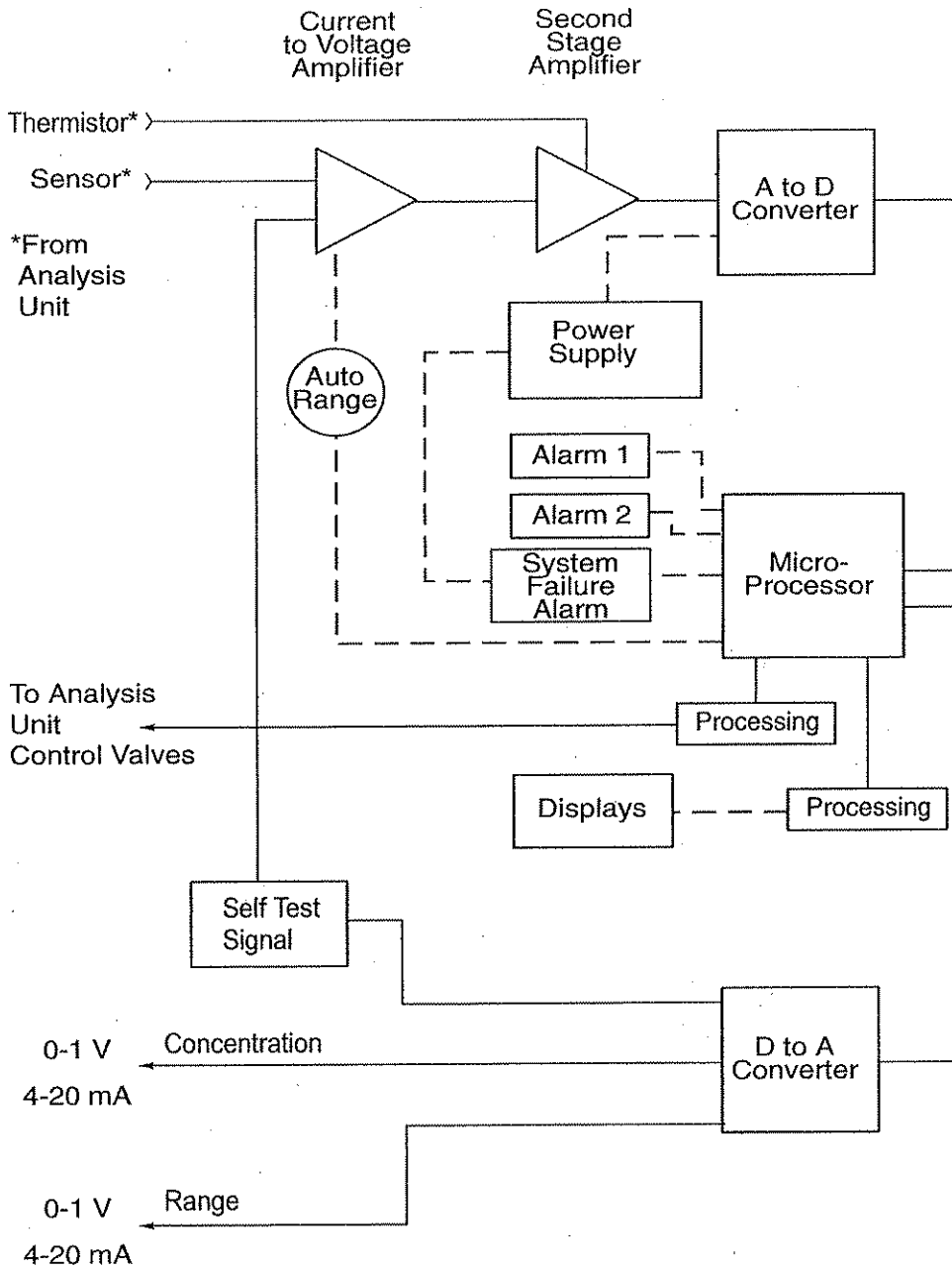


Figure 2-1: Block Diagram of the 3010TB CU Electronics

---

The digital concentration signal—along with input from the control panel—is processed by the microprocessor, and appropriate control signals are directed to the display, alarms and communications port as well as to the gas control valves in the Analysis Unit.

The same digital information is also sent to a 12 bit digital to analog converter that produces the 4-20 mA dc and the 0-1 V dc analog concentration signal outputs, and the analog range ID outputs.

The microprocessor monitors the power supply, and activates the system failure alarm if a malfunction is detected.



---

## Installation

---

Installation of Model 3010TBC Analyzers includes:

1. Unpacking, mounting, and interconnecting the Control Unit and the Analysis Unit
2. Making gas connections to the system
3. Making electrical connections to the system
4. Testing the system.

This chapter covers installation of the Control Unit. (Installation of the Analysis Unit is covered in Part II of this manual.)

### 3.1 Unpacking the Control Unit

The analyzer is shipped with all the materials you need to install and prepare the system for operation. Carefully unpack the Control Unit and inspect it for damage. Immediately report any damage to the shipping agent.

### 3.2 Mounting the Control Unit

The Model 3010TBC Control Unit is for indoor/outdoor use in a general purpose area. This Unit is NOT for any type of hazardous environments.

The standard model is designed for indoor/outdoor mounting. Figure 3-1 is an illustration of a Model 3010TBC standard Control Unit front panel and mounting brackets located-two at the top and two at the bottom of the units frame. Drawing number D-64808, at the back of this manual, contains an outline mounting diagram.

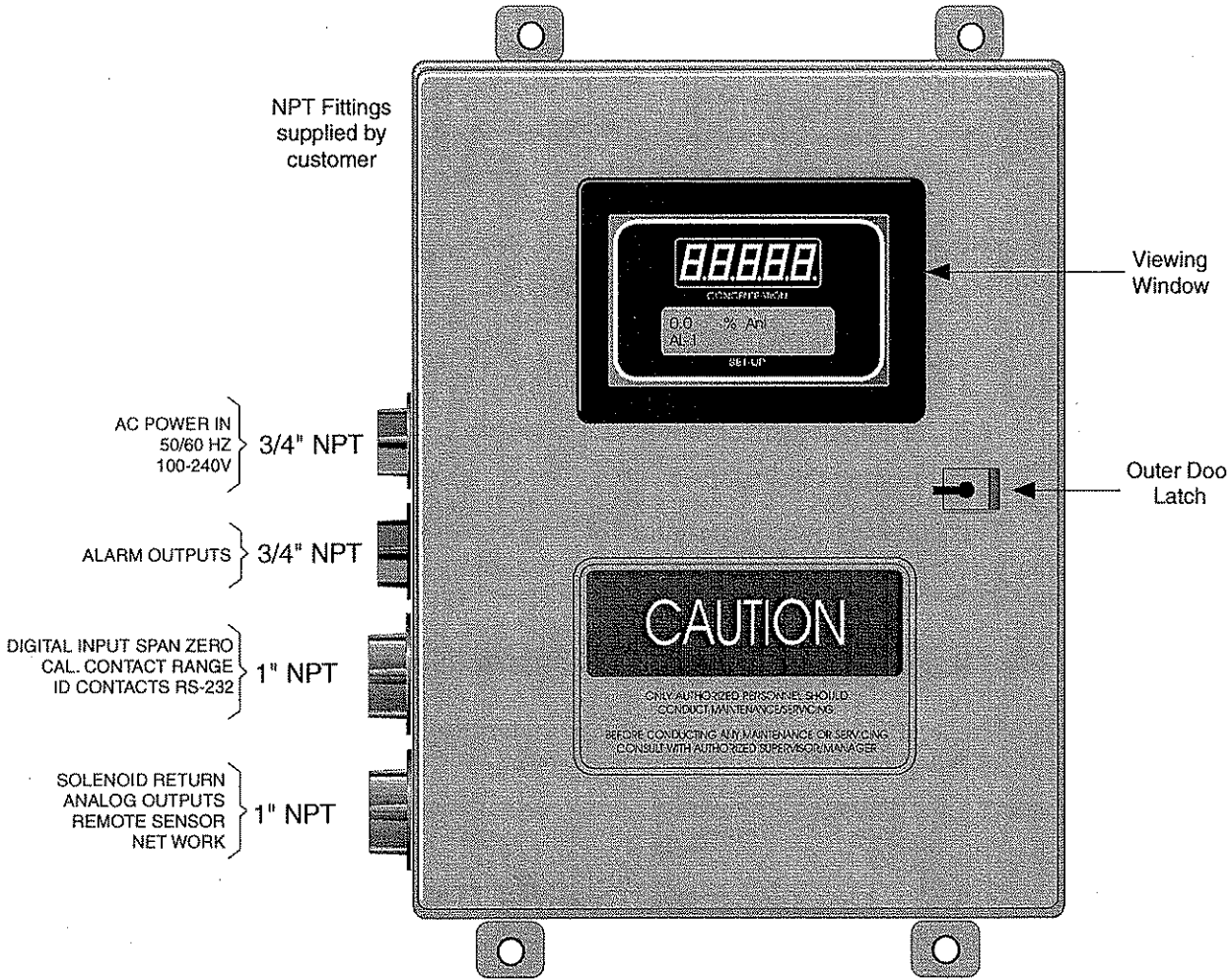


Figure 3-1: Front Panel of the Model 3010 Control Unit

All operator controls are mounted on the inner control panel, which is hinged on the left edge and doubles as a door to provide access to the internal components of the instrument. The door will swing open when the

button of the latch is pressed all the way in with a narrow gauge tool (less than 0.18 inch wide), such as a small hex wrench or screwdriver. Allow clearance for the door to open in a 90-degree arc of radius 11.75 inches. See Figure 3-2.

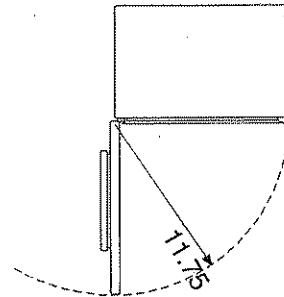


Figure 3-2: Required Front Door Clearance

### 3.3 Electrical Connections

Figure 3-3 shows the Control Unit interface panel. Connections for power, communications, and both digital and analog signal outputs are described in the following paragraphs. Wire size and maximum length data appear in the Drawings at the back of this manual.

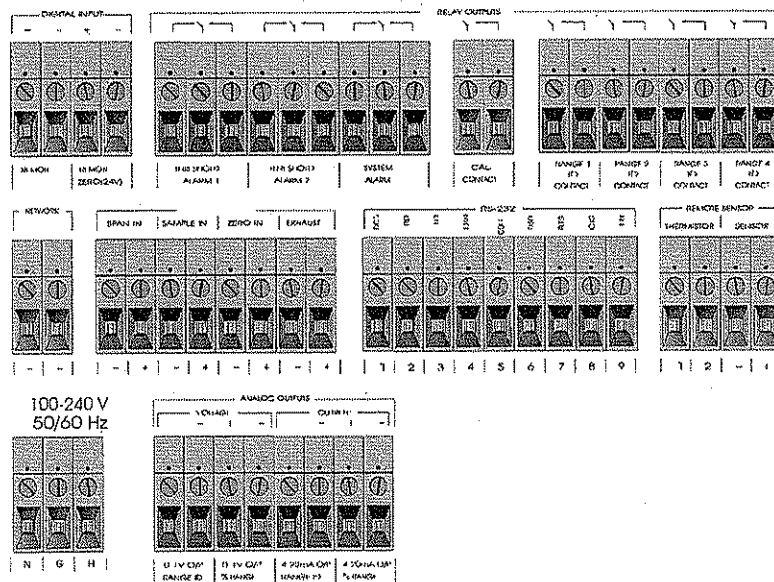



Figure 3-3: Interface Panel of the Model 3010TBC Control Unit

For safe connections, ensure that no uninsulated wire extends outside of the terminal blocks that are attached to. Stripped wire ends must insert completely into terminal blocks. No uninsulated wiring should be able to come in contact with fingers, tools or clothing during normal operation.

**Primary Input Power:** The universal power supply requires a 100-240V ac, 50/60 Hz power source. See Figure 3-4 for detailed connections.

**DANGER:** *Power is applied to the instrument's circuitry as long as the  connected to the power source. The standby function switches power on or off to the displays and outputs only.*

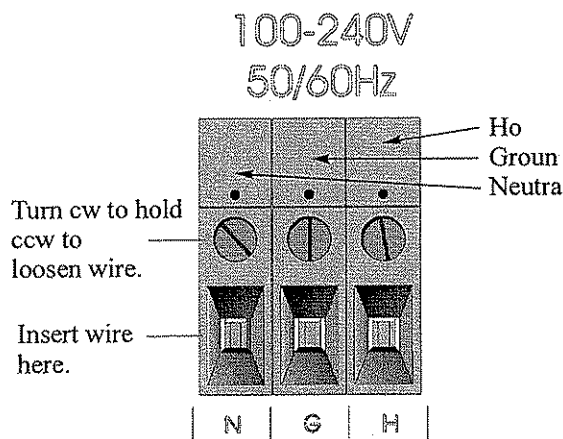


Figure 3-4: Primary Input Power Connections

**Fuse Installation:** The fuse holders accept 5 x 20 mm, 1.0 A, T type (slow blow) fuses. Fuses are not installed at the factory. Be sure to install the proper fuse as part of installation (See *Fuse Replacement* in chapter 5, *maintenance*.)

**Analog Outputs:** There are eight DC output signal connectors on the ANALOG OUTPUTS terminal block. There are two connectors per output with the polarity noted. See Figure 3-5.

The outputs are:

- 0-1 V dc % of Range: Voltage rises linearly with increasing oxygen, from 0 V at 0% to 1 V at 100%. (Full scale = 100% programmed range.)
- 0-1 V dc Range ID: 0.25 V = Low Range, 0.5 V = Medium Range, 0.75 V = High Range, 1 V = Air Cal Range.

- 4–20 mA dc % Range: Current increases linearly with increasing oxygen, from 4 mA at 0% to 20 mA at full scale 100%. (Full scale = 100% of programmed range.)
- 4–20 mA dc Range ID: 8 mA = Low Range, 12 mA = Medium Range, 16 mA = High Range, 20 mA = Air Cal Range.

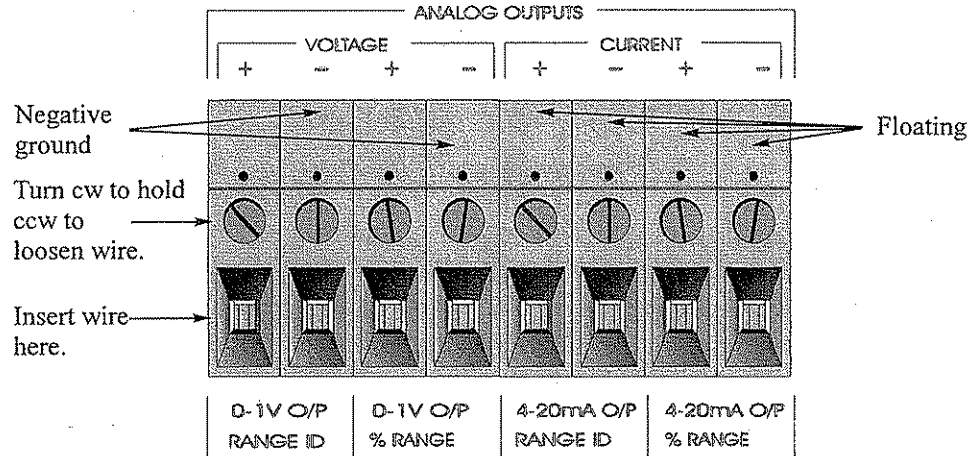


Figure 3-5: Analog Output Connections

**Examples:**

The analog output signal has a voltage which depends on the oxygen concentration AND the currently activated analysis range. To relate the signal output to the actual concentration, it is necessary to know what range the instrument is currently on, especially when the analyzer is in the autoranging mode.

The signal output for concentration is linear over currently selected analysis range. For example, if the analyzer is set on a range that was defined as 0-100 ppm O<sub>2</sub>, then the output would be as shown in Table 3-1.

Table 3-1: Analog Concentration Output-Examples

ppm O <sub>2</sub>	Voltage Signal Output (V dc)	Current Signal Output (mA dc)
0	0.0	4.0
10	0.1	5.6
20	0.2	7.2



30	0.3	8.8
40	0.4	10.4
50	0.5	12.0
60	0.6	13.6
70	0.7	15.2
80	0.8	16.8
90	0.9	18.4
100	1.0	20.0

To provide an indication of the range, a second pair of analog output terminals are used. They generate a steady preset voltage (or current when using the current outputs) to represent a particular range. Table 3-2 gives the range ID output for each analysis range.

**Table 3-2: Analog Range ID Output - Example**

Range	Voltage (V)	Current (mA)
LO	0.25	8
MED	0.50	12
HI	0.75	16
CAL (0-25%)	1.00	20

### Alarm Relays:

There are three alarm-circuit connectors on the alarm relays block (under RELAY OUTPUTS) for making connections to internal alarm relay contacts. Each provides a set of Form C contacts for each type of alarm. Each has both normally open and normally closed contact connections. The contact connections are indicated by diagrams on the rear panel. They are capable of switching up to 3 amperes at 250 V AC into a resistive load (Figure 3-6).

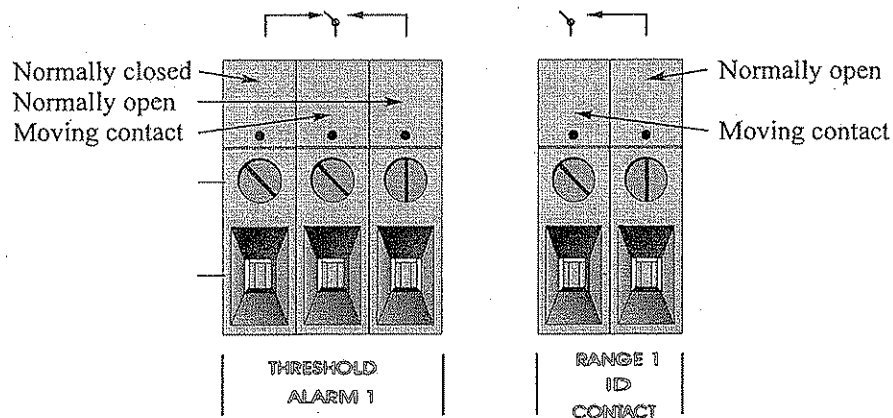


Figure 3-5: Types of Relay Contacts

The connectors are:

- Threshold Alarm 1:
- Can be configured as high (actuates when concentration is above threshold), or low (actuates when concentration is below threshold).
  - Can be configured as fail-safe or non-fail-safe.
  - Can be configured as latching or nonlatching.
  - Can be configured out (defeated).
- Threshold Alarm 2:
- Can be configured as high (actuates when concentration is above threshold), or low (actuates when concentration is below threshold).
  - Can be configured as fail-safe or non-fail-safe.
  - Can be configured as latching or nonlatching.
  - Can be configured out (defeated).
- System Alarm: Actuates when DC power supplied to circuits is unacceptable in one or more parameters. Permanently configured as fail-safe and latching. Cannot be defeated. Actuates if self test fails.
- To reset a System Alarm during installation, disconnect power to the instrument and then reconnect it
- Further detail can be found in chapter 4, section 4-5.

### Digital Remote Cal Inputs

**Remote Zero and Span Inputs:** The REMOTE SPAN and REMOTE ZERO inputs are on the DIGITAL INPUT terminal block. They accept 0 V (OFF) or 24 V dc (ON) for remote control of calibration (See *Remote Calibration Protocol* below.)

**Zero:** Floating input. 5 to 24 V input across the + and – terminals puts the analyzer into the ZERO mode. Either side may be grounded at the source of the signal. 0 to 1 volt across the

---

terminals allows ZERO mode to terminate when done. A synchronous signal must open and close the external zero valve appropriately. See *Remote Probe Connector* at end of section 3.3. (With the -C option, the internal valves automatically operate synchronously).

**Span:** Floating input. 5 to 24 V input across the + and – terminals puts the analyzer into the *SPAN* mode. Either side may be grounded at the source of the signal. 0 to 1 volt across the terminals allows *SPAN* mode to terminate when done. A synchronous signal must open and close the external span valve appropriately. See *Remote Probe Connector* at end of section 3.3. (With the -C option, the internal valves automatically operate synchronously.)

**Cal Contact:** This relay contact is closed while analyzer is spanning and/or zeroing. (See *Remote Calibration Protocol* below.)

**Remote Calibration Protocol:** To properly time the Digital Remote Cal Inputs to the Model 3010TB Analyzer, the customer's controller must monitor the Cal Relay Contact.

When the contact is OPEN, the analyzer is analyzing, the Remote Cal Inputs are being polled, and a zero or span command can be sent.

When the contact is CLOSED, the analyzer is already calibrating. It will ignore your request to calibrate, and it will not remember that request.

Once a zero or span command is sent, and acknowledged (contact closes), release it. If the command is continued until after the zero or span is complete, the calibration will repeat and the Cal Relay Contact (CRC) will close again.

For example:

- 1) Test the CRC. When the CRC is open, Send a zero command until the CRC closes (The CRC will quickly close.)
- 2) When the CRC closes, remove the zero command.
- 3) When CRC opens again, send a span command until the CRC closes. (The CRC will quickly close.)
- 4) When the CRC closes, remove the span command.

When CRC opens again, zero and span are done, and the sample is being analyzed.

**Note:** The Remote Probe connector (paragraph 3.3) provides signals to ensure that the zero and span gas valves will be controlled synchronously. If you have the -C Internal valve option - which includes additional zero and span gas inputs - the

**3010TB automatically regulates the zero, span and sample gas flow.**

**Range ID Relays:** Four dedicated RANGE ID CONTACT relays . The first three ranges are assigned to relays in ascending order—Low range is assigned to RANGE 1 ID, Medium range is assigned to RANGE 2 ID, and High range is assigned to RANGE 3 ID. RANGE 4 ID is reserved for the Air Cal Range (25%).

**Network I/O:** A serial digital input/output for local network protocol. At this printing, this port is not yet functional. It is to be used in future versions of the instrument.

**RS-232 Port:** The digital signal output is a standard RS-232 serial communications port used to connect the analyzer to a computer, terminal, or other digital device. The pinouts are listed in Table 3-3.

*Table 3-3: RS-232 Signals*

RS-232 Sig	RS-232 Pin	Purpose
DCD	1	Data Carrier Detect
RD	2	Received Data
TD	3	Transmitted Data
DTR	4	Data Terminal Ready
COM	5	Common
DSR	6	Data Set Ready
RTS	7	Request to Send
CTS	8	Clear to Send
RI	9	Ring Indicator

The data sent is status information, in digital form, updated every two seconds. Status is reported in the following order:

- The concentration in percent
- The range is use (HI< MED< LO)
- The span of the range 0-100ppm, etc)
- Which alarm - if any - are disabled (AL-x DISABLED)
- Which alarms - if any - are tripped (AL-x ON)

Each status output is followed by a carriage return and line feed.

Three input functions using RS-232 have been implemented to date. They are described in Table 3-4.

**Table 3-4: Commands via RS-232 Input**

Command	Description
as<enter>	Immediately starts an autospan.
az<enter>	Immediately starts an autozero.
st<enter>	Toggling input. Stops/Starts any status message output from the RS-232, Until st<enter> is sent again.

The RS-232 protocol allows some flexibility in its implementation. Table 3-5 lists certain RS-232 values that are required by the 3010TB.

**Table 3-5: Required RS-232 Options**

Parameter	Setting
Baud	2400
Byte	8 bits
Parity	none
Stop Bits	1
Message Interval	2 seconds

**Remote Sensor and Solenoid Valves:** The 3010TBC is a single-chassis instrument. However, the REMOTE SENSOR and SOLENOID RETURN connectors are provided for use with a remote sensor and/or sampling system, if desired. See Figure 3-6.

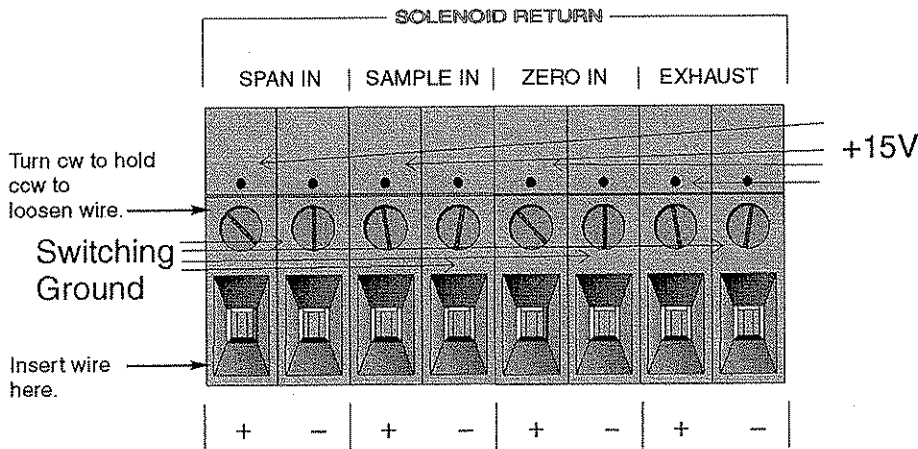


Figure 3-6: Remote Probe Connector Pinouts

The voltage from the solenoid outputs is nominally 0 V for the OFF and 15 V dc for the ON conditions. The maximum combined current that can be pulled from these output lines is 100 mA. (If two lines are ON at the same time, each must be limited to 50 mA, etc.) If more current and/or a different voltage is required, use relays, power amplifiers, or other matching circuitry to provide the actual driving current.

Note that each individual line has a series FET with a nominal ON resistance of 5 ohms (9 ohms worst case). This can limit the obtainable voltage, depending on the load impedance applied. See Figure 3-7.

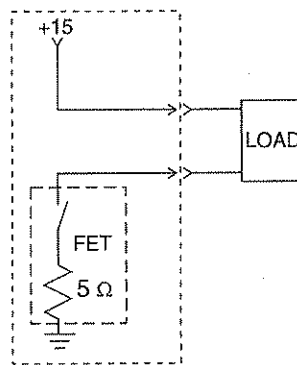


Figure 3-7: FET Series Resistance

### 3.4 Testing the System

**After** The Control Unit and the Analysis Unit are **both** installed and interconnected, and the system gas and electrical connections are complete, the system is ready to test. **Before** plugging either of the units into their respective power sources:

- Check the integrity and accuracy of the gas connections. Make sure there are no leaks.
- Check the integrity and accuracy of all electrical connections. Make sure there are no exposed conductors
- Check that sample pressure is between 3 and 40 psig, according to the requirements of your process.

Power up the system, and test it by performing the following operations:

1. Repeat the Self-Diagnostic Test as described in chapter 4, section 4.3.5.



---

## Operation

---

### 4.1 Introduction

Once the analyzer has been installed, configure it for your process. To do this you can:

- Set system parameters—
  - Specify a password, if desired, requiring operator to log in.
  - Establish and start an automatic calibration cycle, if desired.
- Calibrate the instrument.
- Define the three user selectable analysis ranges. Then choose autoranging or select a fixed range of analysis, as required.
- Set alarm setpoints, and modes (latching, failsafe, etc).

Before configuration these default values are in effect:

PARAMETER	DEFAULT
LO Range	100 ppm
MED Range	1000 ppm
HI Range	10,000 ppm
Auto Ranging	ON
Alarm Relays	1000 ppm (Defeated, HI, Not failsafe, Not latching)
Span	000008.00 ppm (Auto, every 0 days at 0 hours)
Zero	(Auto, every 0 days at 0 hours).

If you choose not to use password protection, the default password is automatically displayed on the password screen when you start up, and you simply press *Enter* for access to all functions of the analyzer.



## 4.2 Using the Data Entry and Function Buttons

**Data Entry Buttons:** The < > arrow buttons select options from the menu currently being displayed on the VFD screen. The selected option blinks.

When the selected option includes a modifiable item, the  $\Delta \nabla$  arrow buttons can be used to increment or decrement that modifiable item.

The *Enter* button is used to accept any new entries on the VFD screen. The *Escape* button is used to abort any new entries on the VFD screen that are not yet accepted by use of the *Enter* button.

Figure 4-1 shows the hierarchy of functions available to the operator via the function buttons. The six function buttons on the analyzer are:

- **Analyze.** This is the normal operating mode. The analyzer monitors the oxygen content of the sample, displays the concentration of oxygen, and warns of any alarm conditions.
- **System.** The system function consists of six subfunctions that regulate the internal operations of the analyzer:
  - Auto-Cal setup
  - Password assignment
  - Self-Test initiation
  - Checking software version
  - Logging out.
- **Zero.** Used to set up a zero calibration.
- **Span.** Used to set up a span calibration.
- **Alarms.** Used to set the alarm setpoints and determine whether each alarm will be active or defeated, HI or LO acting, latching, and/or failsafe.
- **Range.** Used to set up three analysis ranges that can be switched automatically with autoranging or used as individual fixed ranges.

Any function can be selected at any time by pressing the appropriate button (unless password restrictions apply). The order as presented in this manual is appropriate for an initial setup.

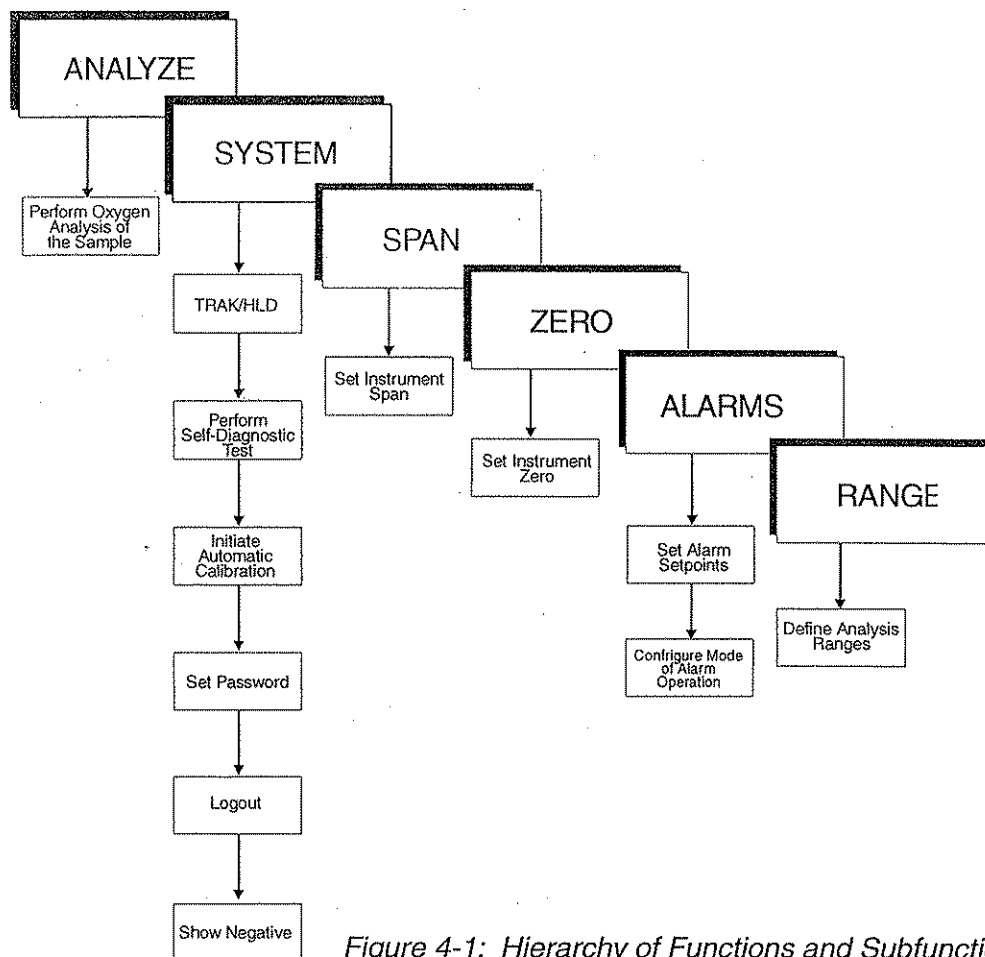


Figure 4-1: Hierarchy of Functions and Subfunctions

Each of these functions is described in greater detail in the following procedures. The VFD screen text that accompanies each operation is reproduced, at the appropriate point in the procedure, in a *Monospaced* type style. Pushbutton names are printed in *Oblique* type.

### 4.3 The System Function

The subfunctions of the *System* function are described below. Specific procedures for their use follow the descriptions:

Increase or decrease the LCD screen contrast. YOU MAY NEED TO DO THIS AT TURN-ON. See *Setting the Display Contrast*, below. VACUUMFLUORESCENT DISPLAY DOES NOT NEED ADJUSTMENT.

- **Auto-Cal:** Used to define an automatic calibration sequence and/or start an Auto-Cal.
- **PSWD:** Security can be established by choosing a 5 digit password (PSWD) from the standard ASCII character set. (See

---

*Installing or Changing a Password*, below, for a table of ASCII characters available.) Once a unique password is assigned and activated, the operator **MUST** enter the **UNIQUE** password to gain access to set-up functions which alter the instrument's operation, such as setting the instrument span or zero setting, adjusting the alarm setpoints, or defining analysis ranges.

After a password is assigned, the operator must **log out** to activate it. Until then, anyone can continue to operate the instrument without entering the new password.

**Only one password can be defined.** Before a unique password is assigned, the system assigns **TETAI** by default. This allows access to anyone. After a unique password is assigned, to defeat the security, the password must be changed back to **TETAI**.

- **Logout:** Logging out prevents an unauthorized tampering with analyzer settings.
- **More:** Select and enter **MORE** to get a new screen with additional subfunctions listed.
- **Self-Test:** The instrument performs a self-diagnostic test to check the integrity of the power supply, output boards and amplifiers.
- **Version:** Displays Manufacturer, Model, and Software Version of instrument.
- **Showing Negative:** The operator selects whether display can show negative oxygen readings or not.
- **TRAK/HLD:** The operator sets whether the instrument analog outputs track the concentration change during calibration and sets a time delay for the concentration alarms after calibration

#### 4.3.1 Tracking the Oxygen Readings during Calibration and Alarm delay

The user has the option of setting the preference as to whether the analog outputs track the display readings during calibration or not. To set the preference, press the System key once and the first System menu will appear in the VFD display:

```
TRAK/HLD Auto-Cal  
PSWD Logout More
```

TRAK/HLD should be blinking. To enter this system menu press the Enter key once:

---

Output Sttng: TRACK

Alarm Dly: 10 min

Or

Output Sttng: HOLD

Alarm Dly: 10 min

In the first line, TRACK or HOLD should be blinking. The operator can toggle between TRACK and HOLD with the Up or Down keys. When TRACK is selected, the analog outputs (0-1 VDC and 4-20 ma) and the range ID contacts will track the instrument readings during calibration (either zero or span). TRACK is the factory default.

When HOLD is selected, the analog outputs (0-1 VDC and 4-20 ma) and the range ID contacts will freeze on their last state before entering one of the calibration modes. When the instrument returns to the Analyze mode, either by a successful or an aborted calibration, there will be a three-minute delay before the analog outputs and the range ID contacts start tracking again.

The concentration alarms freeze on their last state before entering calibration regardless of selecting HOLD or TRACK. But, when HOLD is selected the concentration alarms will remain frozen for the time displayed in the second line of the TRAK/HLD menu after the analyzer returns to the Analyze mode.

The factory default is three minutes, but the delay time is programmable. To adjust to delay time use the Left or Right arrow keys. When the time displayed on the second line blinks, it can be adjusted by Pressing the Up or Down keys to increase or decrease its value. The minimum delay is 1 minute, the maximum is 30.

This preference is stored in non-volatile memory so that it is recovered if power is removed from the instrument.

### 4.3.2 Setting up an Auto-Cal

When the proper calibration gases are connected (see chapter 3, *installation*), the Analyzer can cycle itself through a sequence of steps that automatically zero and span the instrument.

**Note:** If you require highly accurate Auto-Cal timing, use external Auto-Cal control where possible. The internal clock in the Model 3010TBC is accurate to 2-3 %. Accordingly, internally scheduled calibrations can vary 2-3 % per day.

To setup an Auto-Cal cycle:

---

Choose *System* from the Function buttons. The VFD will display five subfunctions.

TRAK/HLD Auto-Cal  
PSWD Logout More

Use <> arrows to blink *Auto-Cal*, and press *Enter*. A new screen for *Span/Zero* set appears.

Span OFF Nxt: 0d 0h  
Zero OFF Nxt: 0d 0h

Press <> arrows to blink *Span* (or *Zero*), then press *Enter* again. (*You won't be able to set OFF to ON if a zero interval is entered.*) A *Span Every ...* (or *Zero Every ...*) screen appears.

Span Every 0 d  
Start 0 h from now

Use  $\Delta\nabla$  arrows to set an interval value, then use <> arrows to move to the start-time value. Use  $\Delta\nabla$  arrows to set a start-time value.

To turn **ON** the *Span* and/or *Zero* cycles (to activate *Auto-Cal*): Press *System* again, choose *Auto-Cal*, and press *Enter* again. When the *Span/Zero* values screen appears, use the <> arrows to blink the *Span* (or *Zero*) *OFF/ON* field. Use  $\Delta\nabla$  arrows to set the *OFF/ON* field to *ON*. You can now turn these fields *ON* because there is a nonzero span interval defined.

### 4.3.3 Password Protection

If a password is assigned, then setting the following system parameters can be done only after the password is entered: **span** and **zero** settings, **alarm** setpoints, analysis **range** definitions, switching between **autoranging** and manual override, setting up an **auto-cal**, and assigning a new **password**. However, the instrument can still be used for analysis or for initiating a self-test without entering the password.

If you have decided not to employ password security, use the default password **TETAI**. This password will be displayed automatically by the microprocessor. The operator just presses the Enter key to be allowed total access to the instrument's features.

**NOTE:** If you use password security, it is advisable to keep a copy of the password in a separate, safe location.

### 4.3.3.1 Entering the Password

To install a new password or change a previously installed password, you must key in and *ENTER* the old password first. If the default password is in effect, pressing the *ENTER* button will enter the default **TETAI** password for you.

Press *System* to enter the *System* mode.

```
TRAK/HLD Auto-Cal
PSWD Logout More
```

Use the < > arrow keys to scroll the blinking over to *PSWD*, and press *Enter* to select the password function. Either the default **TETAI** password or **AAAAA** place holders for an existing password will appear on screen depending on whether or not a password has been previously installed.

```
T E T A I
Enter PWD
```

or

```
A A A A A
Enter PWD
```

The screen prompts you to enter the current password. If you are not using password protection, press *Enter* to accept **TETAI** as the default password. If a password has been previously installed, enter the password using the < > arrow keys to scroll back and forth between letters, and the  $\Delta$   $\nabla$  arrow keys to change the letters to the proper password. Press *Enter* to enter the password.

If the password is accepted, the screen will indicate that the password restrictions have been removed and you have clearance to proceed.

```
PSWD Restrictions
Removed
```

In a few seconds, you will be given the opportunity to change this password or keep it and go on.

```
Change Password?
<ENT>=Yes <ESC>=No
```

Press *Escape* to move on, or proceed as in *Changing the Password*, below.

### 4.3.3.2 Installing or Changing the Password

If you want to install a password, or change an existing password, proceed as above in *Entering the Password*. When you are given the opportunity to change the password:

```
Change Password?
<ENT>=Yes  <ESC>=No
```

Press *Enter* to change the password (either the default TBEAI or the previously assigned password), or press *Escape* to keep the existing password and move on.

If you chose *Enter* to change the password, the password assignment screen appears.

```
T E T A I
<ENT> To Proceed
```

OR

```
A A A A A
<ENT> To Proceed
```

Enter the password using the <> arrow keys to move back and forth between the existing password letters, and the Δ∇ arrow keys to change the letters to the new password. The full set of 94 characters available for password use are shown in the table below.

#### Characters Available for Password Definition:

A	B	C	D	E	F	G	H	I	J
K	L	M	N	O	P	Q	R	S	T
U	V	W	X	Y	Z	[	¥	]	^
_	`	a	b	c	d	e	f	g	h
i	j	k	l	m	n	o	p	q	r
s	t	u	v	w	x	y	z	{	
}	→	!	"	#	\$	%	&	'	(
)	*	+	,	-	.	/	0	1	2
3	4	5	6	7	8	9	:	;	<
=	>	?	@						

When you have finished typing the new password, press *Enter*. A verification screen appears. The screen will prompt you to retype your password for verification.

```
A A A A A
Retype PWD To Verify
```

Wait a moment. The entry screen will give you clearance to proceed.

```

A A A A A
<ENT> TO Proceed

```

Use the arrow keys to retype your password and press *Enter* when finished. Your password will be stored in the microprocessor and the system will immediately switch to the *Analyze* screen, and you now have access to all instrument functions.

If no alarms are tripped, the *Analyze* screen appears as:

```

0.0 ppm AnlZ
Range: 0 - 100

```

If an alarm is tripped, the second line will change to show which alarm it is:

```

0.0 ppm AnlZ
AL-1

```

**NOTE:** If you previously logged off the system, you will now be required to re-enter the password to gain access to Span, Zero, Alarm, and Range functions.

#### 4.3.4 Logout

The *Logout* function provides a convenient means of leaving the analyzer in a password protected mode without having to shut the instrument off. By entering *Logout*, you effectively log off the instrument leaving the system protected against use until the password is reentered. To log out, press the *System* button to enter the *System* function.

```

TRAK/HLD Auto-Cal
PSWD Logout More

```

Use the <> arrow keys to position the blinking over the *Logout* function, and press *Enter* to Log out. The screen will display the message:

```

Protected Until
Password Reentered

```

#### 4.3.5 System Self-Diagnostic Test

The Model 3010TB has a built-in self-diagnostic testing routine. Pre-programmed signals are sent through the power supply, output board and sensor circuit. The return signal is analyzed, and at the end of the test the status of each function is displayed on the screen, either as OK or as a



---

number between 1 and 3. (See *System Self Diagnostic Test* in chapter 5 for number code.)

**Note: Remote Probe connector must be connected to the Analysis Unit, or sensor circuit will not be properly checked.**

The self diagnostics are run automatically by the analyzer whenever the instrument is turned on, but the test can also be run by the operator at will. To initiate a self diagnostic test during operation:

Press the *System* button to start the *System* function.

```
TRAK/HLD Auto-Cal  
PSWD Logout More
```

Use the < > arrow keys to blink **More**, then press *Enter*.

```
Version Self-Test
```

Use the < > arrow keys again to move the blinking to the **Self-Test** function. The screen will follow the running of the diagnostic.

```
RUNNING DIAGNOSTIC  
Testing Preamp - 83
```

During preamp testing there is a countdown in the lower right corner of the screen. When the testing is complete, the results are displayed.

```
Power: OK Analog: OK  
Preamp: 3
```

The module is functioning properly if it is followed by **OK**. A number indicates a problem in a specific area of the instrument. Refer to chapter 5 *Maintenance* for number-code information. The results screen alternates for a time with:

```
Press Any Key  
To Continue...
```

Then the analyzer returns to the initial *System* screen.

#### 4.3.6 Version Screen

Move the < > arrow key to **More** and press *Enter*. With **Version** blinking, press *Enter*. The screen displays the manufacturer, model, and software version information.

---

### 4.3.7 Showing Negative Oxygen Readings

For software version 1.4.4 or later, the instrument only displays oxygen readings that are positive or zero. The instrument can be reconfigured to show negative readings if sensor output drifts below zero. This situation may arise after the instrument has been zeroed, as time progresses the sensor may drift below the zero calibration setpoint.

To show negative oxygen readings on the display:

- Press the *System* key

```
TRAK/HLD Auto-Cal  
PSWD Logout More
```

- Use the Right or Left arrow keys and select More. *Press Enter.*

```
Version Self-Test  
Show_Negative=NO
```

- Use the Right or Left arrow keys and select "Show\_Negative=NO".

- Use the Up or Down key to toggle from NO to YES.

- Press the *Escape* key twice to return to the analyze mode.

This preference is stored in non-volatile memory, so this configuration is remembered after a power shutdown. If the instrument is cold started, it will go back to default (not showing negative oxygen readings).

## 4.4 The Zero and Span Functions

**Zeroing is not required in order to achieve the published accuracy specification of this unit.**

**Zeroing will eliminate offset error contributed by sensor, electronics, and internal and external sampling system and improve performance beyond published specification limits.**

The analyzer is calibrated using zero and span gases.

Any suitable oxygen-free gas can be used for zero gas as long as it is known that it will not react adversely with the sample system.

Although the instrument can be spanned using air, a span gas with a known oxygen concentration in the range of 70–90% of full scale of the range of interest is recommended. Since the oxygen concentration in air is 20.9 % (209,000 ppm), the cell can take longer to recover if the instrument is

used for trace or less than 1% full scale oxygen analysis immediately following calibration in air.

Connect the calibration gases to the analyzer according to the instructions given in Section 3.4.1, *Gas Connections*, observing all the prescribed precautions.

**Shut off the gas pressure before connecting it to the analyzer, and be sure to limit the pressure to 40 psig or less when turning it back on.**

Readjust the gas pressure into the analyzer until the flowrate (as read on the Analysis Unit SLPm flowmeter) settles between 0.5 and 2.4 SLPm (approximately 1-5 scfh).

If you are using password protection, you will need to enter your password to gain access to either of these functions. Follow the instructions in sections 4.3.3.2 or 4.3.3.3 to enter your password. Once you have gained clearance to proceed, you can enter the *Zero* or *Span* function.

#### 4.4.1 Zero Cal

The *Zero* button on the front panel is used to enter the zero calibration function. Zero calibration can be performed in either the automatic or manual mode. In the **automatic** mode, an internal algorithm compares consecutive readings from the sensor to determine when the output is within the acceptable range for zero. In the **manual** mode, the operator determines when the reading is within the acceptable range for zero. Make sure the zero gas is connected to the instrument. If you get a **CELL FAILURE** message skip to section 4.4.1.3.

##### 4.4.1.1 Auto Mode Zeroing

Press *Zero* to enter the zero function mode. The screen allows you to select whether the zero calibration is to be performed automatically or manually. Use the  $\Delta\nabla$  arrow keys to toggle between **AUTO** and **MAN** zero settling. Stop when **AUTO** appears, blinking, on the display.

```
Zero: Settling: AUTO
<ENT> To Begin
```

Press *Enter* to begin zeroing.

```
#### PPM Zero
Slope=#### ppm/s
```

The beginning zero level is shown in the upper left corner of the display. As the zero reading settles, the screen displays and updates information

on **Slope** (unless the Slope starts within the acceptable zero range and does not need to settle further).

Then, and whenever Slope is less than 0.08 for at least 3 minutes, instead of Slope you will see a countdown: 5 Left, 4 Left, and so fourth. These are five steps in the zeroing process that the system must complete, AFTER settling, before it can go back to *Analyze*.

```
##### PPM Zero
4 Left=##### ppm/s
```

The zeroing process will automatically conclude when the output is within the acceptable range for a good zero. Then the analyzer automatically returns to the *Analyze* mode.

#### 4.4.1.2 Manual Mode Zeroing

Press *Zero* to enter the *Zero* function. The screen that appears allows you to select between automatic or manual zero calibration. Use the  $\Delta$ / $\nabla$  keys to toggle between **AUTO** and **MAN** zero settling. Stop when **MAN** appears, blinking, on the display.

```
Zero: Settling: Man
<ENT> To Begin
```

Press *Enter* to begin the zero calibration. After a few seconds the first of five zeroing screens appears. The number in the upper left hand corner is the first-stage zero offset. The microprocessor samples the output at a predetermined rate. It calculates the differences between successive samplings and displays the rate of change as **Slope** = a value in parts per million per second (ppm/s).

```
##### ppm Zero
Slope=##### ppm/s
```

**NOTE:** It takes several seconds for the true Slope value to display. Wait about 10 seconds. Then, wait until Slope is sufficiently close to zero before pressing *Enter* to finish zeroing. Slope is given in ppm/s.

Generally, you have a good zero when Slope is less than 0.05 ppm/s for about 30 seconds. When Slope is close enough to zero, press *Enter*. In a few seconds, the screen will update.

Once span settling completes, the information is stored in the microprocessor, and the instrument automatically returns to the *Analyze* mode.

### 4.4.1.3 Cell Failure

Cell failure in the 3010TBC is usually associated with inability to zero the instrument down to a satisfactorily low ppm reading, e.g. cell does not fail if it comes below 5PPM. When this occurs, the 3010TB system alarm trips, and the LCD displays a failure message.

```
#.# ppm An1z  
CELL FAIL/ ZERO HIGH
```

Before replacing the cell:

- a. Check your span gas to make sure it is within specifications.
- b. Check for leaks downstream from the cell, where oxygen may be leaking into the system.
- c. Check whether more time is needed for readings to drop to a satisfactory level. This might happen when zero was started from very high PPM level

If there are no leaks and the span gas is OK, replace the cell as described in Part II *Analysis Units*, chapter 5 *Maintenance*.

### 4.4.2 Span Cal

The *Span* button on the front panel is used to span calibrate the analyzer. Span calibration can be performed using the **automatic** mode, where an internal algorithm compares consecutive readings from the sensor to determine when the output matches the span gas concentration. Span calibration can also be performed in **manual** mode, where the operator determines when the span concentration reading is acceptable and manually exits the function.

#### 4.4.2.1 Auto Mode Spanning

Press *Span* to enter the span function. The screen that appears allows you to select whether the span calibration is to be performed automatically or manually. Use the  $\Delta\nabla$  arrow keys to toggle between **AUTO** and **MAN** span settling. Stop when **AUTO** appears, blinking, on the display.

```
Span: Settling: AUTO  
<ENT> For Next
```

Press *Enter* to move to the next screen.

```
Calib. Holding time  
Cal hold: 5 min
```

This menu allows the operator to set the time the analyzer should be held in the span mode, after the readings of the analyzer settle. Five minutes is the default, but it could be adjusted anywhere from 1 to 60 minutes by using the UP or DOWN keys.

Press *Enter* to move to the next screen.

```
Span Val: 000008.00
<ENT>Span <UP>Mod #
```

Use the  $\Delta\nabla$  arrow keys to enter the oxygen-concentration mode. Use the  $\langle\rangle$  arrow keys to blink the digit you are going to modify. Use the  $\Delta\nabla$  arrow keys again to change the value of the selected digit. When you have finished typing in the concentration of the span gas you are using (209000.00 if you are using air), press *Enter* to begin the Span calibration.

```
#### ppm Span
Slope=#### ppm/s
```

The beginning span value is shown in the upper left corner of the display. As the span reading settles, the screen displays and updates information on **Slope**. Spanning automatically ends when the span output corresponds, within tolerance, to the value of the span gas concentration. Then the instrument automatically returns to the analyze mode.

#### 4.4.2.2 Manual Mode Spanning

Press *Span* to start the *Span* function. The screen that appears allows you to select whether the span calibration is to be performed automatically or manually.

```
Span: Settling:MAN
<ENT> For Next
```

Use the  $\Delta\nabla$  keys to toggle between **AUTO** and **MAN** span settling. Stop when **MAN** appears, blinking, on the display. Press *Enter* to move to the next screen.

Press *Enter* to move to the next screen.

```
Calib. Holding time
Cal hold: 5 min
```

This menu allows the operator to set the time the analyzer should be held in the auto span mode. It does not affect anything in Manual Mode. Just press *Enter* to continue.

```
Span Val: 000008.00
<ENT>Span <UP>Mod #
```

Press  $\Delta$  (<UP>) to permit modification (Mod #) of span value.

Use the arrow keys to enter the oxygen concentration of the span gas you are using (209000.00 if you are using air). The < > arrows choose the digit, and the  $\Delta \nabla$  arrows choose the value of the digit.

Press *Enter* to enter the span value into the system and begin the span calibration.

Once the span has begun, the microprocessor samples the output at a predetermined rate. It calculates the difference between successive samplings and displays this difference as Slope on the screen. It takes several seconds for the first Slope value to display. Slope indicates rate of change of the Span reading. It is a sensitive indicator of stability.


```
#### % Span  
Slope=#### ppm/s
```

When the *Span* value displayed on the screen is sufficiently stable, press *Enter*. (Generally, when the *Span* reading changes by 1 % or less of the full scale of the range being calibrated for a period of ten minutes it is sufficiently stable.) Once *Enter* is pressed, the *Span* reading changes to the correct value. The instrument then **automatically** enters the *Analyze* function.

### 4.4.3 Span Failure

The analyzer checks the output of the cell at the end of the span. If the raw output of the cell is less than 0.5 uA/ppm O<sub>2</sub>, the span will not be accepted. The analyzer will return to the previous calibration values, trigger the System Alarm, and display in the VFD:

Span Failed!!

This message will be shown for five seconds and the instrument shall return to the Analyze mode. In the upper right hand corner of the VFD display "FCAL" will be shown. This message flag will help the operator troubleshoot in case calibration was initiated remotely. To reset the alarm and the flag message, the unit must be turned off by cycling the standby key . It will not reset if the next span cycle is correct.

A trace cell is unlikely to fail span. As explained before, when the sensor reaches the end of its useful life, the zero offset begins to rise until the analyzer finds the zero unsatisfactory. Nevertheless, feeding the wrong span gas or electronics failure could set this feature off at the end of the span. Consider this before replacing the cell.

---

## 4.5 The Alarms Function

The Model 3010TBC is equipped with 2 fully adjustable concentration alarms and a system failure alarm. Each alarm has a relay with a set of form C contacts rated for 3 amperes resistive load at 250 V ac. See figure in chapter 3, *Installation* and/or the Interconnection Diagram included at the back of this manual for relay terminal connections.

The system failure alarm has a fixed configuration described in chapter 3 *Installation*.

The concentration alarms can be configured from the front panel as either *high* or *low* alarms by the operator. The alarm modes can be set as *latching* or *nonlatching*, and either *failsafe* or *nonfailsafe*, or, they can be *defeated* altogether. The setpoints for the alarms are also established using this function.

Decide how your alarms should be configured. The choice will depend upon your process. Consider the following four points:

1. Which if any of the alarms are to be high alarms and which if any are to be low alarms?

Setting an alarm as HIGH triggers the alarm when the oxygen concentration rises above the setpoint. Setting an alarm as LOW triggers the alarm when the oxygen concentration falls below the setpoint.

Decide whether you want the alarms to be set as:

- Both high (high and high-high) alarms, or
- One high and one low alarm, or
- Both low (low and low-low) alarms.

2. Are either or both of the alarms to be configured as failsafe?

In failsafe mode, the alarm relay de-energizes in an alarm condition. For nonfailsafe operation, the relay is energized in an alarm condition. You can set either or both of the concentration alarms to operate in failsafe or nonfailsafe mode.

3. Are either of the alarms to be latching?

In latching mode, once the alarm or alarms trigger, they will remain in the alarm mode even if process conditions revert back to no-alarm conditions. This mode requires an alarm to be recognized before it can be reset. In the nonlatching mode, the alarm status will terminate when process conditions revert to no-alarm conditions.

4. Are either of the alarms to be defeated?



The defeat alarm mode is incorporated into the alarm circuit so that maintenance can be performed under conditions which would normally activate the alarms.

The defeat function can also be used to reset a latched alarm. (See procedures, below.)

If you are using password protection, you will need to enter your password to access the alarm functions. Follow the instructions in Section 4.3.3 to enter your password. Once you have clearance to proceed, enter the *Alarm* function.

Press the *Alarm* button on the front panel to enter the *Alarm* function. Make sure that AL-1 is blinking.

```
AL-1    AL-2
Choose Alarm
```

Set up alarm 1 by moving the blinking over to AL-1 using the < > arrow keys. Then press *Enter* to move to the next screen.

```
AL-1 1000 ppm HI
Dft-N Fs-N Ltch-N
```

Five parameters can be changed on this screen:

- Value of the alarm setpoint, AL-1 ##### (ppm or % oxygen)
- Out-of-range direction, HI or LO
- Defeated? Dft-Y/N (Yes/No)
- Failsafe? Fs-Y/N (Yes/No)
- Latching? Ltch-Y/N (Yes/No).
- To define the setpoint, use the < > arrow keys to move the blinking over to AL-1 #####. Then use the Δ∇ arrow keys to change the number. Holding down the key speeds up the incrementing or decrementing. (Remember, setpoint units are parts-per-million.)
- To set the other parameters use the < > arrow keys to move the blinking over to the desired parameter. Then use the Δ∇ arrow keys to change the parameter.
- Once the parameters for alarm 1 have been set, press *Alarms* again, and repeat this procedure for alarm 2 (AL-2).
- To reset a latched alarm, go to Dft- and then press either Δ two times or ∇ two times. (Toggle it to Y and then back to N.)

-OR -

Go to Lfch- and then press either  $\Delta$  two times or  $\nabla$  two times.  
(Toggle it to N and back to Y.)

## 4.6 The Range Function

The Range function allows the operator to program up to three concentration ranges to correlate with the DC analog outputs. If no ranges are defined by the user, the instrument defaults to:

Range	Limits
Low	0–100 ppm
Med	0–1,000 ppm
High	0–10,000 ppm.

The Model 3010TBC is set at the factory to default to autoranging. In this mode, the microprocessor automatically responds to concentration changes by switching ranges for optimum readout sensitivity. If the current range limits are exceeded, the instrument will automatically shift to the next higher range. If the concentration falls to below 85% of full scale of the next lower range, the instrument will switch to that range. A corresponding shift in the DC percent-of-range output, and in the range ID outputs, will be noticed.

The autoranging feature can be overridden so that analog output stays on a fixed range regardless of the oxygen concentration detected. If the concentration exceeds the upper limit of the range, the DC output will saturate at 1 V dc (20 mA at the current output).

However, the digital readout and the RS-232 output of the concentration are unaffected by the fixed range. They continue to read accurately with full precision. See *Front Panel* description in chapter 1.

The automatic air calibration range is always 0-25 % and is not programmable.

### 4.6.1 Setting the Analog Output Ranges

To set the ranges, enter the range function mode by pressing the *Range* button on the front panel.

```
L-#### M-####
H-##### Mode-AUTO
```

Use the <> arrow keys to blink the range to be set: low (L), medium (M), or high (H).

Use the  $\Delta\nabla$  arrow keys to enter the upper value of the range (all ranges begin at 0 ppm). Repeat for each range you want to set. Press *Enter* to accept the values and return to *Analyze* mode. (See note below.)

**Note:** The ranges must be increasing from low to high, for example, if range 1 is set as 0–100 ppm and range 2 is set as 0–1,000 ppm, range 3 cannot be set as 0–500 ppm since it is lower than range 2.

Ranges, alarms, and spans are always set in ppm units (over the entire 0–250,000 ppm range), even though all concentration-data outputs change from ppm units to percent when the concentration is above 10,000 ppm.

#### 4.6.2 Fixed Range Analysis

The autoranging mode of the instrument can be overridden, forcing the analyzer DC outputs to stay in a single predetermined range.

To switch from autoranging to fixed range analysis, enter the range function by pressing the *Range* button on the front panel.

Use the  $\langle \rangle$  arrow keys to move the blinking over **AUTO**.

Use the  $\Delta\nabla$  arrow keys to switch from **AUTO** to **FX/LO**, **FX/MED**, or **FX/HI** to set the instrument on the desired fixed range (low, medium, or high).

```
L-#### M-####
H-##### Mode-FX/LO
```

or

```
L-#### M-####
H-##### Mode-FX/MED
```

or

```
L-#### M-####
H-##### Mode-FX/HI
```

Press *Escape* to re-enter the *Analyze* mode using the fixed range.

**NOTE:** When performing analysis on a fixed range, if the oxygen concentration rises above the upper limit (or default value) as established by the operator for that particular range, the output saturates at 1 V dc (or 20 mA). However, the digital

readout and the RS-232 output continue to read the true value of the oxygen concentration regardless of the analog output range.

## 4.7 The *Analyze* Function

When the *Analyze* function is active, the 3010TBC is monitoring the sample gas currently flowing in the Analysis Unit cell block. All undefeated alarms are ready to activate should their respective setpoints be crossed.

Press the *Analyze* button to put the analyzer in the *Analyze* mode.

Normally, all of the functions automatically switch back to the *Analyze* function when they have completed their assigned operations. Pressing the *Escape* button in many cases also switches the analyzer back to the *Analyze* function. Alternatively, you can press the *Analyze* button at any time to return to analyzing your sample.

## 4.8 Signal Output

The standard Model 3010TBC Trace Oxygen Analyzer is equipped with two 0-1 V dc analog output terminals accessible on the interface panel (one concentration and one range ID) and two isolated 4-20 mA dc current outputs (one concentration and one range ID).

See *Rear Panel* in chapter 3, *Installation*, for illustration.

The signal output for concentration is linear over the currently selected analysis range. For example, if the analyzer is set on range that was defined as 0–100 ppm O<sub>2</sub>, then the output would be:

ppm O <sub>2</sub>	Voltage Signal Output (V dc)	Current Signal Output (mA dc)
0	0.0	4.0
10	0.1	5.6
20	0.2	7.2
30	0.3	8.8
40	0.4	10.4
50	0.5	12.0
60	0.6	13.6
70	0.7	15.2
80	0.8	16.8

---

90	0.9	18.4
100	1.0	20.0

The analog output signal has a voltage which depends on the oxygen concentration AND the currently activated analysis range. To relate the signal output to the actual concentration, it is necessary to know what range the instrument is currently on, especially when the analyzer is in the autoranging mode.

To provide an indication of the range, a second pair of analog output terminals are used. They generate a steady preset voltage (or current when using the current outputs) to represent a particular range. The following table gives the range ID output for each analysis range:

Range	Voltage (V)	Current (mA)
LO	0.25	8
MED	0.50	12
HI	0.75	16
CAL (0-25%)	1.00	20

**IMPORTANT:** In the event of loss of flow through the analyzer, if the vent is vented to a location of high oxygen content, oxygen will back diffuse through the vent line and in most cases quickly saturate the cell with oxygen which can then require a quite long purge down time for the sensor when then exposed to low oxygen concentrations. In the event that flow is to be interrupted into the analyzer, it is suggested that the user do one of the following:

1. Bag the sensor in nitrogen during this time
2. Install a shut off valve on the vent port of the analyzer or somewhere within the users sample system.

---

## Maintenance

---



Aside from normal cleaning and checking for leaks at the gas connections, routine maintenance is limited to replacing Micro-Fuel cells and fuses, and recalibration.

Checking for leaks, replacing Micro-Fuel cells, and replacing fuses in the Analysis Unit are covered in Part II, Chapter 5. For recalibration, see Part I, section 4.4 *Calibration*.



**WARNING:** SEE WARNINGS ON THE TITLE PAGE OF THIS MANUAL.

### 5.1 Fuse Replacement

The 3010TBC requires two 5 x 20 mm, 1.0 A, T type (Slow Blow) fuses.

The fuses are located inside the main housing on the Electrical Connector Panel, as shown in Figure 5-3. To replace a fuse:

1. Disconnect the Unit from its power source.
2. Place a small screwdriver in the notch in the fuse holder cap, push in, and rotate 1/4 turn. The cap will pop out a few millimeters. Pull out the fuse cap and fuse, as shown in Figure 5-1

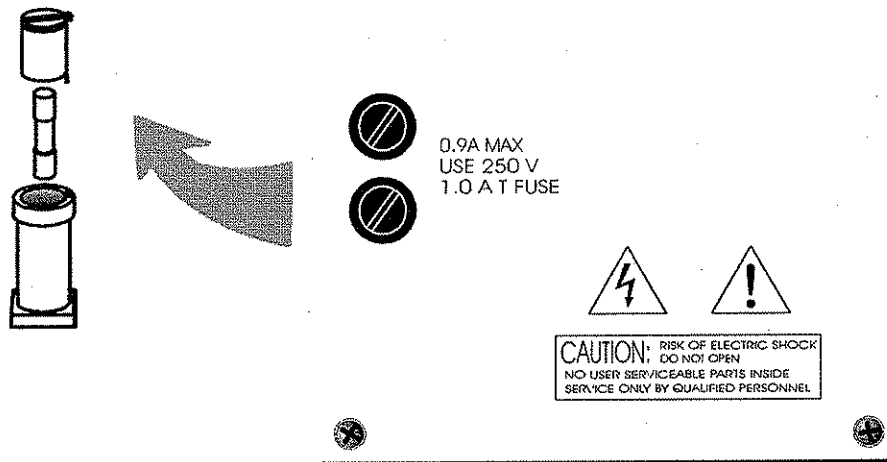


Figure 5-1: Removing Fuse Block Cap and Fuse from Housing

2. Replace fuse by reversing process in step 1.

### 5.2 System Self Diagnostic Test

1. Press the *System* button to enter the system mode.
2. Use the <> arrow keys to move to More, and press *Enter*.
3. Use the <> arrow keys to move to Self-Test, and press *Enter*.

The following failure codes apply:

**Table 5-1: Self Test Failure Codes**

<b>Power</b>	
0	OK
1	5 V Failure
2	15 V Failures
3	Both Failed
<b>Analog</b>	
0	OK
1	DAC A (0–1 V Concentration)
2	DAC B (0–1 V Range ID)
3	Both Failed

**Preamp**

- 0 OK
- 1 Zero too high
- 2 Amplifier output doesn't match test input
- 3 Both Failed

**5.3 Major Internal Components**

The major components in the Control Unit are shown in Figure 5-3.

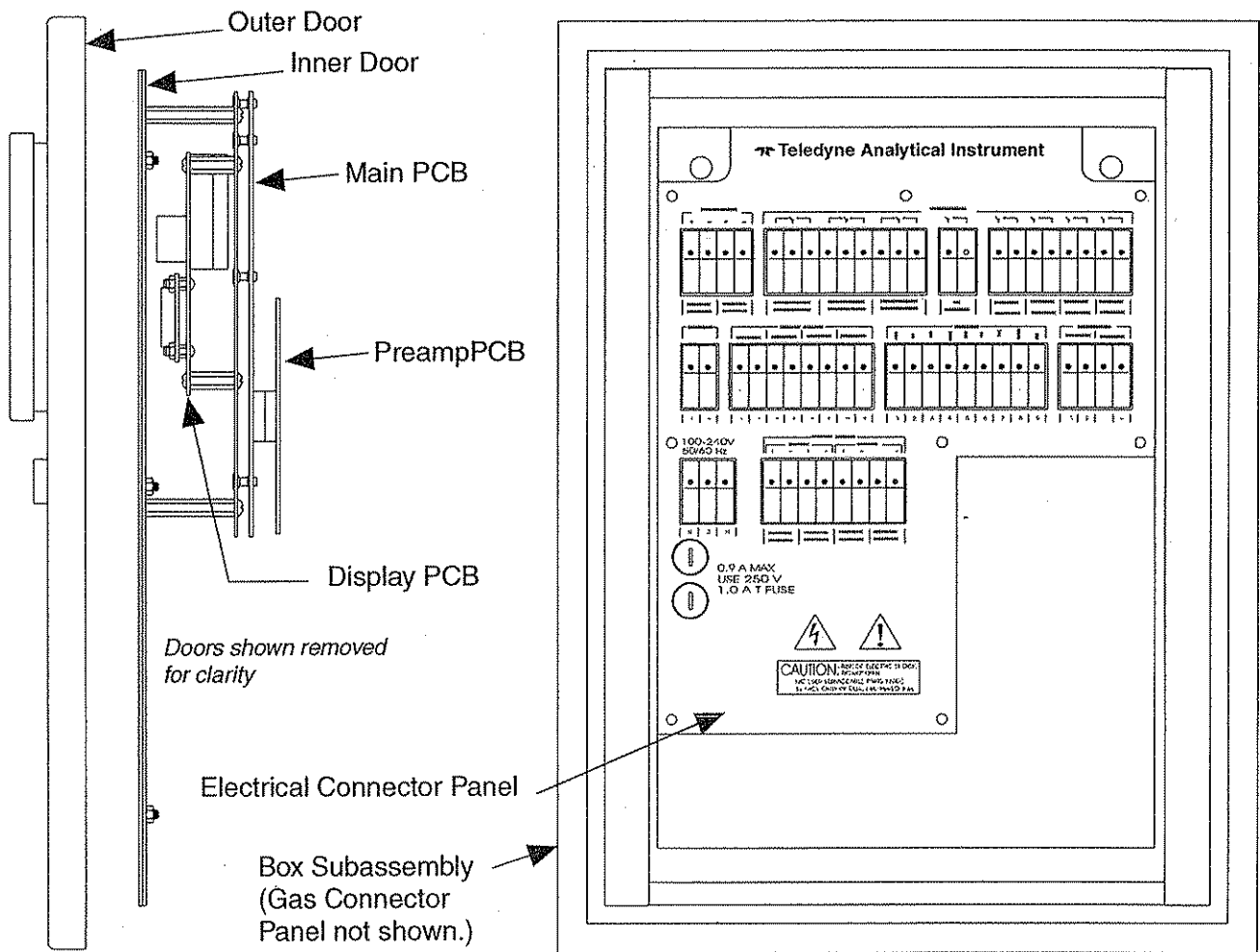


Figure 5-3: Control Unit Major Internal Components



---

**WARNING:** HAZARDOUS VOLTAGES EXIST ON CERTAIN COMPONENTS INTERNALLY WHICH MAY PERSIST FOR A TIME EVEN AFTER THE POWER IS TURNED OFF AND DISCONNECTED.

The 3010TBC Control Units contain the following major components:

- Power Supply
- Motherboard (with Microprocessor, RS-232 chip, and Preamplifier PCB)
- Front Panel Display Board and Displays—
  - 5 digit LED meter
  - 2 line, 20 character, alphanumeric, VFD display

See the drawings in the Drawings section in back of this manual for details.

## 5.4 VFD Display

**NOTE:** Vacuum Fluorescent Display may be used. It does not require contrast adjustment.

If you cannot read anything on the VFD display, especially after first powering up, check that VFD cable is not loose.

---

OPERATING INSTRUCTIONS

# **Model 3010TBC**

*Oxygen Analyzer*

Part II  
Intrinsic Safe Barriers  
and  
Remote Probe

GENELEC Type

Part Number D-65478

**Table of Contents**

---

**1 Introduction**

1.1 Overview ..... 1-1  
1.2 Intrinsic Safe Barriers ..... 1-1  
1.3 Area Classification ..... 1-2  
1.4 Cell Housing/Probe ..... 1-2

**2 Operational Theory**

2.1 Introduction ..... 2-1  
2.2 Micro-Fuel Cell Sensors ..... 2-1  
    2.2.1 Principles of Operation ..... 2-1  
    2.2.2 Anatomy of a Micro-Fuel Cell ..... 2-2  
    2.2.3 Electrochemical Reactions ..... 2-3  
    2.2.4 The Effect of Pressure ..... 2-4  
    2.2.5 Calibration Characteristics ..... 2-4  
    2.2.6 Micro-Fuel Cell "Class" ..... 2-5

**3 Installation**

3.1 Unpacking the Analysis Unit ..... 3-1  
3.2 Mounting the Analysis Unit ..... 3-1  
3.3 Installing the Micro-Fuel Cell ..... 3-2  
3.4 Testing the System ..... 3-2  
3.5 Intrinsic Safety Barriers ..... 3-3

**4 Maintenance**

4.1 Routine Maintenance ..... 4-1  
4.2 When to Replace a Cell ..... 4-1  
4.3 Cell Warranty ..... 4-2  
4.4 System Self Diagnostic Test ..... 4-3

---

## Introduction

---

### 1.1 Overview

The Analytical Instruments Model 3010TBC Remote Probe is a versatile remotely controlled instrument for detecting percent amounts of oxygen (0-10ppm to 0-250ppm) in a variety of background gases. Details are recorded in *Specifications* in the Appendix to this manual.

The analyzer is designed to meet the CENELEC operation standards for European use. The analyzer uses a unique micro-fuel cell (MFC) to measure the concentration of oxygen in a gas stream. The instrument is composed of three separate units (cell housing) and safety barrier box - which may be widely separated physically and are intended for applications where remote control of the sample analysis is desirable.

Safety barrier box isolate the BASEEFA approved probes from the control unit. The intrinsically-safe sensor probe contains TAI's B1 sensor and temperature compensation components. The unit's feature percent oxygen (O<sub>2</sub>) analysis in the ranges of 0-10ppm thru 0-250,000ppm and 0-25% CAL.

### 1.2 Intrinsic Safe Barriers

The intrinsically safe cell block houses the MFC and the temperature compensation thermistor.

Intrinsic safety barriers are used to limit the electrical energy within the controlled circuit to a level too low to cause ignition of a flammable material.

Any and all hazardous conditions to which the analyzer may be exposed are characteristic of the user's environment, and understanding of the conditions and precautions necessary for safe operation are user's responsibility.

**CAUTION:** *Bypassing the barriers in any way nullifies their effect, and conditions which prompted their use will prevail. If the instrument is used under any conditions contrary to the intrinsic safety design, the user assumes all risk.*



### 1.3 Area Classification

The control unit and barrier box are general purpose units and must be located in a non-hazardous location. The analysis unit, when installed with the safety barriers in accordance with drawing C66426, is CENELEC approved as intrinsically safe.

**CAUTION:** *The CENELEC approval as Intrinsically Safe requires that the instrument be properly installed with the included approved safety barriers (P/N B366) and barrier box (P/N E324) as shown in drawing C66426.*



### 1.4 Cell Housing/Probe

The cell housing (probe) provides an enclosure for the B1 sensor and temperature-compensation thermistor.

The sensor is held in place by two contact springs and the cell cap. To remove the cell for replacement, three (3) wing nuts must first be removed and then the cell cap. After replacing the MFC in the cap, membrane side down (screen), the cap and three (3) wing nuts are replaced.

**CAUTION:** *Do not touch the silver/gold color sensing surface of the cell as it is covered with a delicate Teflon membrane that can be ruptured in handling.*



The gas inlet/outlet ports are Swagelock fittings that provide for the connection of 6mm tubing. Other various connections are available.

Electrical connections are made by a wire cable located at the top of the cell housing. (See the "Wiring Diagram" at the rear of this manual).

## Operational Theory

### 2.1 Introduction

The Analysis Unit is composed of two subsystems: the Micro-Fuel Cell sensor and the sample system.

The Micro-Fuel Cell is an electrochemical galvanic device that translates the amount of oxygen present in the sample into an electrical current. The sample system is designed to accept the sample and calibration gasses, select between them (in response to Control Unit signals), and transport the gas through the analyzer—without contaminating or altering its composition before it reaches the sensor.

The electronic signal processing, display, and control systems are housed in the remote Control Unit, covered in Part I of this manual.

### 2.2 Micro-Fuel Cell Sensor

#### 2.2.1 Principles of Operation

The oxygen sensors used in the Model 3010 series are Micro-Fuel Cells designed and manufactured by Analytical Instruments. They are sealed plastic disposable electrochemical transducers.

The active components of a Micro-Fuel Cell are the cathode, the anode, and the 15% aqueous KOH electrolyte in which they are immersed. The cell converts the energy from a chemical reaction into an electrical current in an external electrical circuit. Its action is similar to that of a battery.

There is, however, an important difference in the operation of a battery as compared to the Micro-Fuel Cell: In the battery, all reactants are stored within the cell, whereas in the Micro-Fuel Cell, one of the reactants (oxygen) comes from outside the device as a constituent of the sample gas

being analyzed. The Micro-Fuel Cell is therefore a hybrid between a battery and a true fuel cell. (All of the reactants are stored externally in a true fuel cell.)

### 2.2.2 Anatomy of a Micro-Fuel Cell

A Micro-Fuel Cell (MFC) is a cylinder only  $1\frac{1}{4}$  inches in diameter and  $1\frac{1}{4}$  inches thick. It is made of an extremely inert plastic, which can be placed confidently in practically any environment or sample stream. The cell is effectively sealed, although one end is permeable to oxygen in the sample gas. The other end of the cell is a contact plate consisting of two concentric foil rings. The rings mate with spring-loaded contacts in the sensor block assembly and provide the electrical connection to the rest of the analyzer. Figure 2-1 shows the external features of a typical cell.

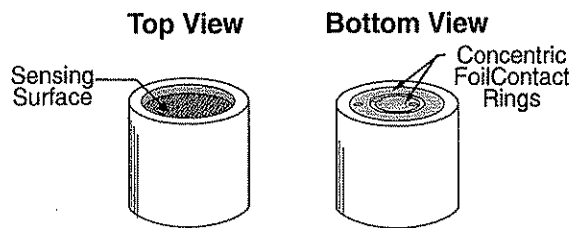


Figure 2-1: Micro-Fuel Cell

Refer to Figure 2-2, *Cross Section of a Micro-Fuel Cell*, which illustrates the following internal description.

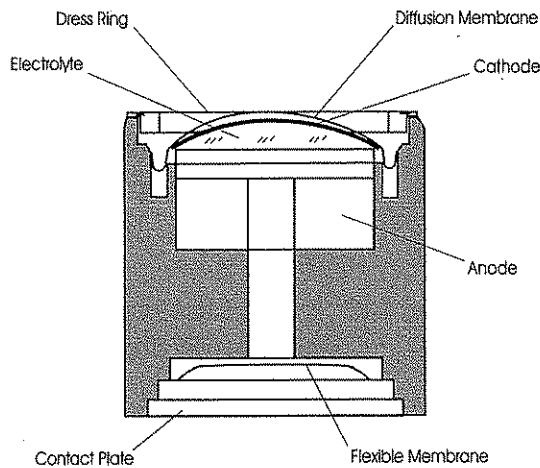


Figure 2-2. Cross Section of a Micro-Fuel Cell (not to scale)

At the top end of the cell is a diffusion membrane of Teflon, whose thickness is very accurately controlled. Beneath the diffusion membrane lies the oxygen sensing element—the cathode—with a surface area almost 4 cm<sup>2</sup>. The cathode has many perforations to ensure sufficient wetting of the upper surface with electrolyte, and it is plated with an inert metal.

The anode structure is below the cathode. It is made of lead and has a proprietary design which is meant to maximize the amount of metal available for chemical reaction.

At the rear of the cell, just below the anode structure, is a flexible membrane designed to accommodate the internal volume changes that occur throughout the life of the cell. This flexibility assures that the sensing membrane remains in its proper position, keeping the electrical output constant.

The entire space between the diffusion membrane, above the cathode, and the flexible rear membrane, beneath the anode, is filled with electrolyte. Cathode and anode are submerged in this common pool. They each have a conductor connecting them to one of the external contact rings on the contact plate, which is on the bottom of the cell.

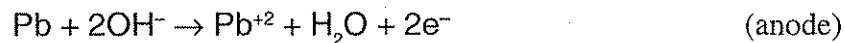
### 2.2.3 Electrochemical Reactions

The sample gas diffuses through the Teflon membrane. Any oxygen in the sample gas is reduced on the surface of the cathode by the following HALF REACTION:



(Four electrons combine with one oxygen molecule—in the presence of water from the electrolyte—to produce four hydroxyl ions.)

When the oxygen is reduced at the cathode, lead is simultaneously oxidized at the anode by the following HALF REACTION:



(Two electrons are transferred for each atom of lead that is oxidized. Therefore it takes two of the above anode reactions to balance one cathode reaction and transfer four electrons.)

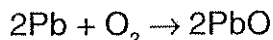
The electrons released at the surface of the anode flow to the cathode surface when an external electrical path is provided. The current is proportional to the amount of oxygen reaching the cathode. It is measured and used to determine the oxygen concentration in the gas mixture.





---

The overall reaction for the fuel cell is the SUM of the half reactions above, or:



(These reactions will hold as long as no gaseous components capable of oxidizing lead—such as iodine, bromine, chlorine and fluorine—are present in the sample.)

The output of the fuel cell is limited by (1) the amount of oxygen in the cell at the time and (2) the amount of stored anode material.

In the absence of oxygen, no current is generated.

### 2.2.4 The Effect of Pressure

In order to state the amount of oxygen present in the sample in parts-per-million or a percentage of the gas mixture, it is necessary that the sample diffuse into the cell under constant pressure.

If the total pressure increases, the rate that oxygen reaches the cathode through the diffusing membrane will also increase. The electron transfer, and therefore the external current, will increase, even though the oxygen concentration of the sample has not changed. It is therefore important that the sample pressure at the fuel cell (usually vent pressure) remain relatively constant between calibrations.

### 2.2.5 Calibration Characteristics

Given that the total pressure of the sample gas on the surface of the Micro-Fuel Cell input is constant, a convenient characteristic of the cell is that the current produced in an external circuit is directly proportional to the rate at which oxygen molecules reach the cathode, and this rate is directly proportional to the concentration of oxygen in the gaseous mixture. In other words it has a linear characteristic curve, as shown in Figure 2-3. Measuring circuits do not have to compensate for nonlinearities.

In addition, since there is almost no output in the absence of oxygen, the characteristic curve has close to an absolute zero—within  $\pm 1$  ppm oxygen. (The electronics is zeroed automatically when the instrument power is turned on.)

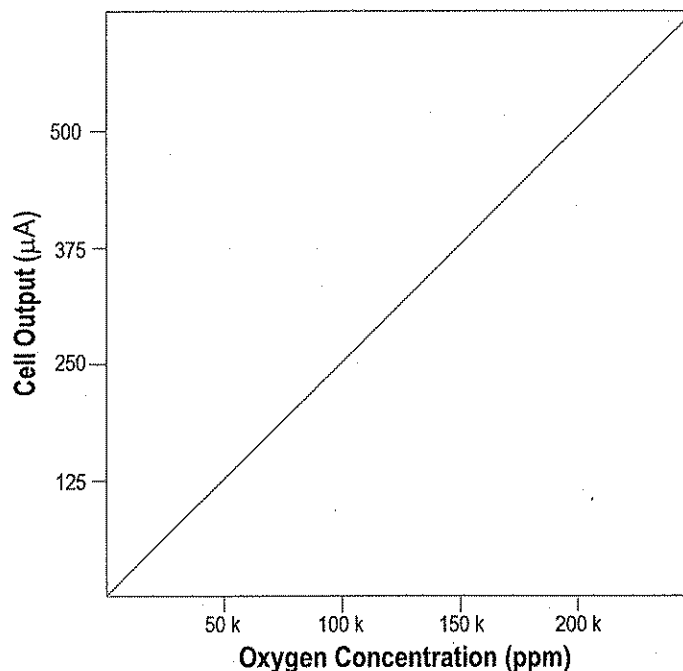


Figure 2-3. Characteristic Input/Output Curve for a Micro-Fuel Cell

## 2.2.6 Micro-Fuel Cell “Class”

Analytical Instruments manufactures Micro-Fuel Cells with a variety of characteristics to give the best possible performance for any given application. A few typical Micro-Fuel Cells are listed below with their typical use and electrical specifications

### 2.2.6.1 Class A-3 Cell

The class A-3 cell is for use in applications where it is exposed continuously to carbon dioxide concentrations between 1 % and 100 % in the sample gas.

Nominal output in air is 0.20 mA, and 90 % response time is 45 s. Expected life in flue gas is 8 months.

### 2.2.6.2 Class A-5 Cell

The class A-5 cell is for use in applications where it is exposed intermittently to carbon dioxide concentrations up to 100 % in the sample gas.

Nominal output in air is 0.19 mA, and 90 % response time is 45 s. Expected life in flue gas is 8 months.

### 2.2.6.3 Class B-1 Cell

The class B-1 cell is for use in applications where it is exposed to less than 0.1 % of carbon dioxide, and where fast response is important.

Nominal output in air is 0.50 mA, and 90 % response time is 7 s.  
Expected life in air is 8 months.

### 2.2.6.4 Class B-3 Cell

The class B-3 cell is for use in applications where a slightly longer response time is acceptable in order to have a longer cell life.

Nominal output in air is 0.30 mA, and 90 % response time is 13 s.  
Expected life in air is 12 months.

### 2.2.6.5 Class C-3 Cell

The class B-1 cell is for use in applications where it is exposed to less than 0.1 % of carbon dioxide, and where a longer response time is acceptable in order to have a longer cell life.

Nominal output in air is 0.20 mA, and 90 % response time is 30 s.  
Expected life in air is 18 months.

### 2.2.6.6 Hydrogen and/or Helium Service

If the sample gas contains 10 % or more hydrogen and/or helium, only “clamp” cells are used. These Micro-Fuel cells are identified by the suffix -C added to the cell class number.

**NOTE:** Teledyne offers a wide range of micro-full cells for specific applications. For more information, please consult factory.

---

## **Installation**

---

Installation of the Model 3010TBC Analyzer includes:

1. Unpacking, mounting, and interconnecting the Control Unit and the Analysis Unit
2. Making gas connections to the system
3. Making electrical connections to the system
4. Testing the system.

### **3.1 Unpacking the Analysis Unit**

The analyzer is shipped with all materials needed to install and prepare the system for operation. Carefully unpack the Analysis Unit and inspect it for damage. Immediately report any damage to the shipping agent.

### **3.2 Mounting the Analysis Unit**

The analyzer should be installed in an area that is sheltered from the elements. In areas where the ambient temperature is expected to drop below 0°C, auxiliary heating must be provided.

Install the probe with a suitable sample system in an area that is protected from the elements and from possible RFI. The temperature limits are the same as those specified for the sensor, but you can obtain better accuracy if the temperature is held constant. The sample system must be such as to provide a suitable flowrate of approximately 1000ml/minute at a constant temperature. Also, the sample system should include some means of introducing a span gas.

Three outline diagrams are included among the drawings at the rear of this manual. The diagrams show the location and identification of the electrical conduit connections, as well as the physical dimensions of the separate units that comprise the analyzer.

If you use your own gas control valves, use the interconnect diagram in Figure 3-5 for the valves. The sensor and thermistor remain connected as in Figure 3-4.

### 3.3 Installing the Micro-Fuel Cell

The Micro-Fuel Cell is not installed in the cell block when the instrument is shipped. It must be installed during initial installation.

Once it is expended, the Micro-Fuel Cell will need to be replaced. The cell could also require replacement if the cell is exposed to air for too long, or if the instrument has been idle for too long.

When the micro-Fuel Cell needs to be installed or replaced, follow the procedures in chapter 5, *Maintenance*, for removing and installing cells.

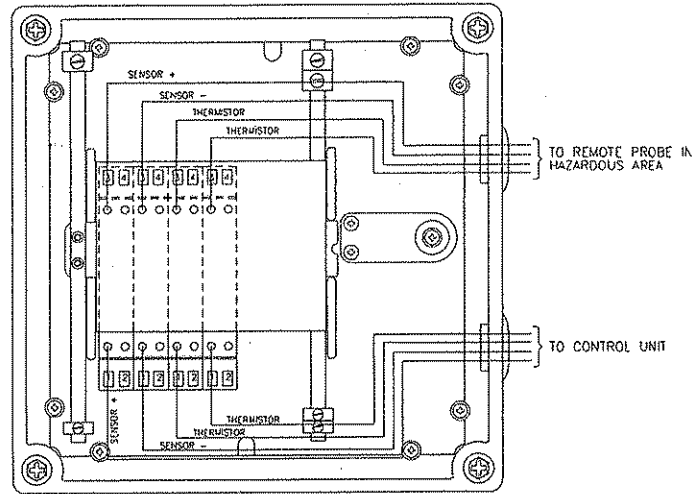
### 3.4 Testing the System

**After** The Control Unit and the Analysis Unit are **both** installed and interconnected, and the system gas and electrical connections are complete, the system is ready to test. **Before** plugging either of the units into their respective power sources:

- Check the integrity and accuracy of the gas connections. Make sure there are no leaks.
- Check the integrity and accuracy of the electrical connections. Make sure there are no exposed conductors

Power up the system, and test it as follows:

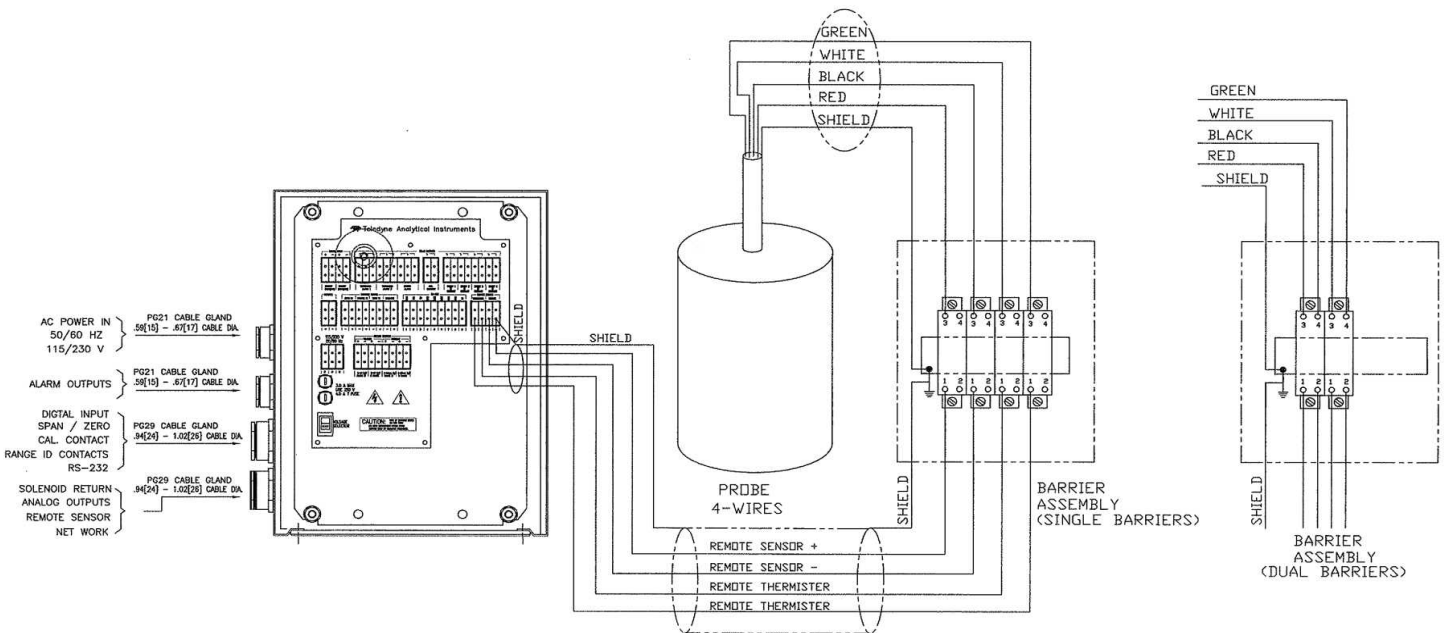
1. Repeat the Self-Diagnostic Test as described in Part I, chapter 4, section 4.3.5.



*Intrinsic Safe Zener Barriers and Enclosure*

### 3.5 Intrinsic Safety Barriers

Two intrinsic safety barrier strips (one each P/N B366 single channel, B367 dual channel) are installed between the cell and the control unit. The barrier strips are housed in an approved bulkhead mountable barrier box (P/N E324). Refer to drawing D66191 for terminal connection.



*Figure 3-4: Control Unit (CU) to Analysis Unit (AU) Connector Cable*



---

## Maintenance

---

### 4.1 Routine Maintenance



Aside from normal cleaning and checking for leaks at the gas connections, routine maintenance is limited to replacing Micro-Fuel cells and fuses, and recalibration.



Self-diagnostic testing of the system and fuse replacement in the Control Unit are covered in Part I, chapter 5 of this manual. For recalibration, see Part I, section 4.4 *Calibration*.

**WARNING:** SEE WARNINGS ON THE TITLE PAGE OF THIS MANUAL.

### 4.2 Cell Replacement

The Micro-Fuel Cell is a sealed electrochemical transducer with no electrolyte to change or electrodes to clean. When the cell reaches the end of its useful life, it is replaced. The spent fuel cell should be discarded according to local regulations. This section describes storage and handling of the fuel cell, and when and how to replace it.

#### 4.2.1 Storing and Handling Replacement Cells

To have a replacement cell available when it is needed, it is recommended that one spare cell be purchased, shortly before the end of the cell's one year warranty period. (Check *Specific Model Information* in The front matter of this manual for which class of cell you purchased.)

**CAUTION:** Do not stockpile cells. The warranty period starts on the day of shipment.



The spare cell should be carefully stored in an area that is not subject to large variations in ambient temperature (75 °F nominal) or to rough handling.

**WARNING:** THE SENSORS USED IN THE MODELS 3010 OXYGEN ANALYZERS USE ELECTROLYTES WHICH CONTAIN TOXIC SUBSTANCES, MAINLY LEAD AND POTASSIUM HYDROXIDE, THAT CAN BE HARMFUL IF TOUCHED, SWALLOWED, OR INHALED. AVOID CONTACT WITH ANY FLUID OR POWDER IN OR AROUND THE UNIT. WHAT MAY APPEAR TO BE PLAIN WATER COULD CONTAIN ONE OF THESE TOXIC SUBSTANCES. IN CASE OF EYE CONTACT, IMMEDIATELY FLUSH EYES WITH WATER FOR AT LEAST 15 MINUTES. CALL PHYSICIAN. (SEE APPENDIX, MATERIAL SAFETY DATA SHEET.)



**CAUTION:** Do not disturb the integrity of the cell package until the cell is to actually be used. If the cell package is punctured and air is permitted to enter, the cell will require an excessively long time to reach zero after installation (possibly several hours).



#### 4.2.2 When to Replace a Cell

If the 3010T analysis readings begin to drift downward uncharacteristically, try recalibration. If recalibration raises the readings for a short time only, suspect the cell, **but first check for leaks downstream from the cell where gases may be leaking into the system.**

You can check the output of the cell itself by going to the *System* function, selecting *More*, and pressing *Enter*. The cell output reading will be on the second line of the display.

Version Self-Test

Cell Output: ### µA

The “good” cell output range depends on the class of cell your analyzer is using. The B-1 cell is standard in the 3010T, but others can be specified.

**Check *Specific Model Information in the Front Matter in this manual for the class of cell you purchased.*** Then check Table 4-1, the cell index table below, and do the simple calculation. If the resulting value is below the Cell Output reading, replace the cell.

To find out if your cell is too weak:

1. Flow span gas through the analyzer, and allow time to purge.
2. With span gas flowing, read the raw output of the cell from the *System* function display.
3. Divide the raw output reading by the percent oxygen concentration of your span gas.

If the quotient is less than the Index value for the cell class you are using, replace the cell.

**Table 4-1: Cell Indices**

Cell Class	Index
A-3	1.818
A-5	1.818
B-1	4.545
B-3	3.716
B-5	1.244
B-7	1.515
C-3	2.488
C-5	0.606

#### 4.2.3 Removing the Micro-Fuel Cell

**WARNING:** DO NOT TOUCH THE SENSING SURFACE OF THE CELL. IT IS COVERED WITH A DELICATE TEFLON MEMBRANE THAT CAN LEAK CAUSTIC AND CORROSIVE CHEMICALS WHEN PUNCTURED.



The Micro-Fuel cell is located inside the housing in a nylon cell block. (Some models may have a stainless steel block).

To remove an existing cell:

1. Remove power to the instrument by unplugging the power cord at the power source.
2. Rotate the housing cover counterclockwise until it is free from the housing, and then remove it.

3. Pull up on the Probe, with a slight rocking motion, to release it from the Probe Receptacle.
4. **Do Not** remove the O-rings unless they are worn and no longer hold the Probe tightly. (If worn, replace them.)
5. When it is free, unscrew the Cap from the Probe. **Hold the Probe vertically to prevent dropping the cell out of the probe.**
6. Remove the Cell from the Probe, and dispose of it in an environmentally safe manner.

#### 4.2.4 Installing a New Micro-Fuel Cell

It is important to minimize the amount of time that a Teledyne Trace Oxygen Sensor is exposed to air during the installation process. The quicker the sensor can be installed into the unit, the faster your TAI O<sub>2</sub> sensor will recover to low O<sub>2</sub> measurement levels.

**CAUTION:** Do not touch the sensing surface of the cell. It is covered with a delicate Teflon membrane that can leak when punctured. The sensor must be replaced if the membrane is damaged.



Before installing a new cell, check the O-ring in the base of the cell holder. Replace if worn or damaged.

Place the cell on the holder with the screen side facing down.

**Note:** There is a small location hole drilled in the holder. This hole mates with a guide pin on the bottom rear of the cell block. The hole in the cell block holder must align with the guide pin on the cell block.

Step 1. Remove power from instrument.

Step 2. Remove the old sensor (if installed) from the analyzer.

Step 3. Purge the analyzer at approximately 1 SCFH flow rate with N<sub>2</sub> (or applicable sample gas with the sensor holder removed).

Step 4. Remove sensor from double bag storage.

Step 5. Remove sensor shorting button.

Step 6. Place sensor on sensor holder so that the gold contact plate of the sensor is facing up towards the sky.

Step 7. Install sensor and sensor holder into cell block.

Step 8. With O-ring in place, align the guide pin with the hole on the cell holder. Then, with the holder, lift cell into the cell block.

Step 9. Push the gate on the cell block down so that the slots on the side of the gate engage the locating screws on the side of the block. This forces the holder into position and forms a gas-tight seal.

Step 10. Purge system with sample or zero gas.

Step 11. Power-up.

*If steps 4 through 10 are accomplished quickly (elapsed time less than 15 seconds), recovery to less than 1ppm level should occur in less than 8 hours.*

#### 4.2.5 Cell Warranty

The Micro-Fuel cell used in the standard Model 3010P is the class B-1 cell. Check *Specific Model Information* in the front matter of this manual for cell class in your unit, as this will affect cell life and warranty data. Also note any Addenda that may be attached to the front of this manual for special information applying to your instrument.

With regard to spare cells, warranty period begins on the date of shipment. The customer should purchase only one spare cell. Do not attempt to stockpile spare cells.

If a cell was working satisfactorily, but ceases to function before the warranty period expires, the customer will receive credit toward the purchase of a new cell.

If you have a warranty claim, you must return the cell in question to the factory for evaluation. If it is determined that failure is due to faulty workmanship or material, the cell will be replaced at no cost to you.

**Note:** Evidence of damage due to tampering or mishandling will render the cell warranty null and void.

#### 4.3 System Self Diagnostic Test

1. Press the *System* button to enter the system mode.
2. Use the < > arrow keys to move to *More*, and press *Enter*.
3. Use the < > arrow keys to move to *Self-Test*, and press *Enter*.
4. Observe the error-code readings on the VFD screen, and check Table 4-1, below, to interpret the codes.

**Table 4-1: Self Test Failure Codes****Power**

- 0 OK
- 1 5 V Failure
- 2 15 V Failure
- 3 Both Failed

**Analog**

- 0 OK
- 1 DAC A (0–1 V Concentration)
- 2 DAC B (0–1 V Range ID)
- 3 Both Failed

**Preamp**

- 0 OK
- 1 Zero too high
- 2 Amplifier output doesn't match test input
- 3 Both Failed

---

OPERATING INSTRUCTIONS

# Models 3010TBC

*Oxygen Analyzers*

Appendix

NEMA 4 Bulkhead Mount Control Unit PN D66190A  
NEC Type Analysis Unit, PN AU65478

## Contents

---

A-1	Model 3010TBC Specifications .....	A-3
A-2	Recommended 2-Year Spare Parts List.....	A-5
A-3	Drawing List .....	A-6
A-4	Material Safety Data Sheet .....	A-7

---

## Appendix

---

### A-1 Models 3010TBC Specifications

**Packaging:** General Purpose Control Unit

- Bulkhead Mount NEMA 4 Enclosure

**Sensor:** L-2C trace Micro-Fuel Cell.

**Cell Block:** Top - 4 Sensor Probe

**Ranges:** Three user definable ranges.  
0-10 ppm to 0-250,000 ppm.  
Air calibration range 0-25 %.

Autoranging with range ID output.

**Sample System:** Positive pressure service.  
Vacuum service (optional).

Auto Cal / Auto Zero with electrically operated valves. (Internal valves optional.)

**Alarms:** One system-failure alarm-contact to detect power failure.

Two adjustable concentration threshold alarms with fully programmable setpoints.

**Diagnostics:** Start-up or on-demand, comprehensive, self testing function initiated by keyboard.

**Displays:** 2 line by 20 alphanumeric, VFD screen, and one 5 digit LED display.

**Digital Interface:** Full duplex RS-232 communications port.

**Power:** General Purpose Control Unit  
100-240 VAC  
50/60 Hz



**Operating Temperature:** 0-50 °C

**EMF/RFI:** Immunity and Emissions designed to meet  
(but not yet certified to)

EN 50081-1

EN 50082-2.

**Accuracy:**  $\pm 2\%$  of full scale at constant temperature.  
 $\pm 5\%$  of full scale over operating temperature  
range, on factory default analysis ranges, once  
thermal equilibrium has been achieved.

**Analog outputs:** 0-1 V dc percent-of-range  
0-1 V dc range ID.  
4-20 mA dc percent-of-range  
4-20 mA dc range ID.

**Password Access:** Can be user-configured for password access.

---

**A-2 Recommended 2-Year Spare Parts List**

<i>Qty</i>	<i>Part Number</i>	<i>Description</i>
1	D65295A	Customer Interface Board, Control Unit
1	C62371B	Front Panel Board
1	C62368-A	Trace Preamplifier Board
1	C73870-A	Trace Main Computer Board
2	F1275	Fuse 1.0A, 5 x 20mm, Slow Blow
1	O165	O-ring
1	C6689-L2C	Micro-Fuel Cell

---

\* Order one type only: US or European, as appropriate.

A minimum charge is applicable to spare parts orders.

**Note: Orders for replacement parts should include the part number (if available) and the model and serial number of the instrument for which the parts are intended.**

**Orders should be sent to:**

**TELEDYNE Analytical Instruments**

16830 Chestnut Street  
City of Industry, CA 91749-1580

Phone (626) 934-1500, Fax (626) 961-2538  
TWX (910) 584-1887 TDYANYL COID

Web: [www.teledyne-ai.com](http://www.teledyne-ai.com)

or your local representative.

### A-3 Drawing List

- D-66190A: Final Assembly, Control Unit.
- C-66426: Housing Assembly, Safety thermoswitch
- D-68404: Interconnection Diagram
- D64808: Outline Diagram, Control Unit

**NOTE:** The MSDS on this material is available upon request through the Teledyne Environmental, Health and Safety Coordinator. Contact at (626) 934-1592



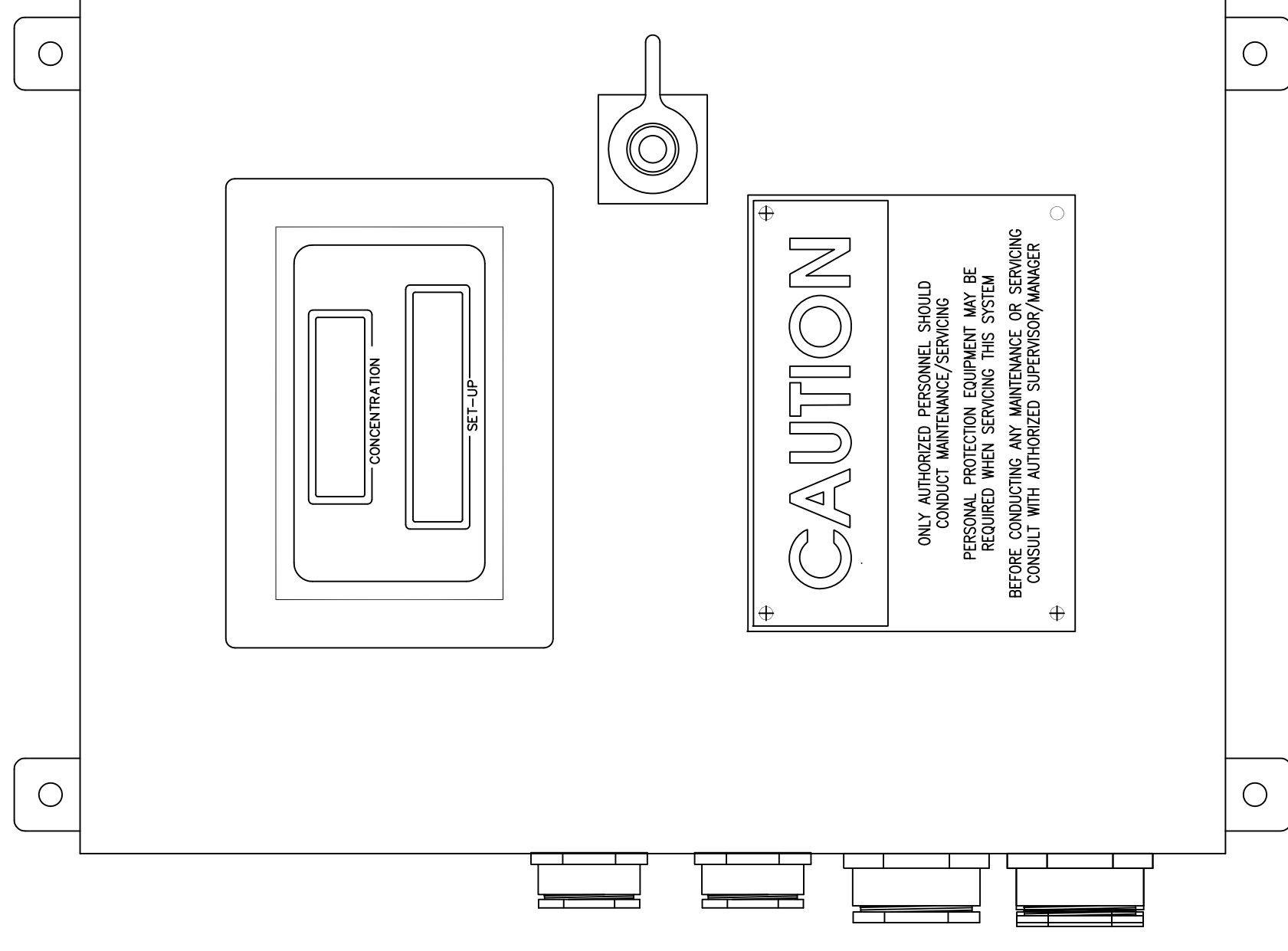
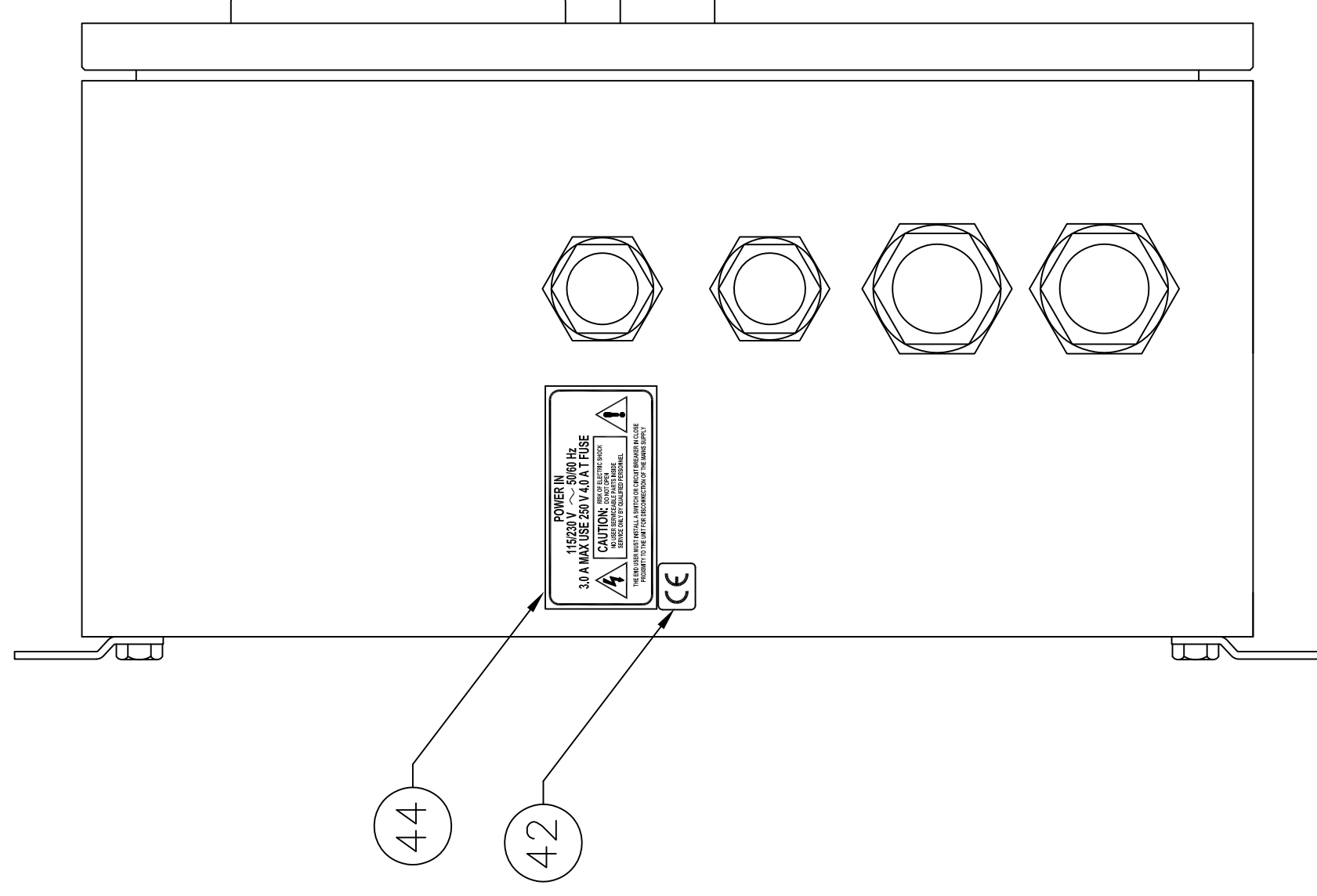
NOTES: UNLESS OTHERWISE SPECIFIED.

- MODEL DESIGNATION: OPTION A ----- 3010TB  
 OPTION B ----- 3010PB  
 OPTION C ----- 3010PB-MA
- NEXT ASSY: 3010TB ----- A62927  
 3010PB ----- C64595

OPTIONAL ITEM PICK LIST

ITEM NO.	QTY.			P/N	DESCRIPTION
	A	B	C		
3	1			D66997-A	SWING-OUT DOOR & PCB ASS'Y, 3010TB
		1		D66997-B	SWING-OUT DOOR & PCB ASS'Y, 3010PB
			1	D66997-C	SWING-OUT DOOR & PCB ASS'Y, 3010PB-M

- ITEM 15 MUST BE INSTALLED FIRST, AND ITEM 10 TO BE INSTALLED PROIR TO ALL OTHER PARTS
- REF. TO DWG. D66826 TO LOCATE OTHER 2 LABELS
- REF. TO DWG. D66826 FOR CABLES INTERCONNECTION



REF	D66190-RS	ROUTE SHEET
45	1	POWER ID LABEL
44	1	A-70497
43		
42	1	CE LABEL DETAIL TAG
41	1	SCREW, 1/4-20 X .375 LG., SS
40	1	STAND-OFF DETAIL LABEL, GROUNDING
39	3	A-65230C
38		
37	1	SCREW, 8-32 x .375, BND HD
36	1	LOCK NUT, HEX #8
35	1	S 1110 STANDOFF, 8-32 x .625, M-F, SS
34	2	B 550 SYSTEM MOUNTING BLOCK, RITTAL
33		
32		
31	2	O-RING, SILICONE, FOR PG21
30	2	O-RING, SILICONE, FOT PG29
29	1	B-67950 CABLE ASS'Y, REMOTE PROBE-PREAMP
28		
27	A/R	HEX NUT WITH LOCK WASHER, #6
26	1	B-66877 IN LINE FILTER CABLE ASS'Y
25	1	A-66878 DOOR LOCK MTG. BRACKET DETAIL
24		
23		
22	1	N 366 RETAINING NUT
21	1	R 2110 RECEPTACLE
20	1	A-66734 HINGE DETAIL
19	2	B-66731 SWING-OUT DOOR FRAME DETAIL, TOP-BTM
18	2	B-66732 SWING-OUT DOOR FRAME DETAIL, SIDE
17	2	N 371 NUT, PG21
16	2	G 419 CABLE GLAND, PG21
15	1	B 548 WALL MTG BRACKET KIT (SET OF 4)
14	1	C-66758 BOX DRILLING DETAIL
13		
12	A/R	LOCK WASHER, #6
11	A/R	SCREW 6-32 x .375
10	1	B-66735 BACK PLATE DRILLING DETAIL
9	8	S 1150 STANDOFF, F-M, SS, 6-32 x 2.125
8	2	N 372 NUT, PG29
7	2	G 420 CABLE GLAND, PG29
6	1	D-65295B CUSTOMER INTERFACE PCB ASS'Y
5	8	S 996 STANDOFF, MALE-FEMALE, SS, 6-32 x .75
4	1	D-70499 CUSTOMER INTERFACE SILKSCREEN DETAIL
3	1	NOTE SWING OUT DOOR & PCB ASS'Y
2		
1	1	C-66740 MAIN DOOR SUB-ASS'Y

ITEM	QTY	PART NO.	DESCRIPTION
45	1	D66190-RS	ROUTE SHEET
44	1	A-70497	POWER ID LABEL
43			
42	1	A-65849	CE LABEL DETAIL TAG
41	1	SCREW, 1/4-20 X .375 LG., SS	
40	1	A66875	STAND-OFF DETAIL LABEL, GROUNDING
39	3	A-65230C	
38			
37	1	SCREW, 8-32 x .375, BND HD	
36	1	LOCK NUT, HEX #8	
35	1	S 1110	STANDOFF, 8-32 x .625, M-F, SS
34	2	B 550	SYSTEM MOUNTING BLOCK, RITTAL
33			
32			
31	2	O 265	O-RING, SILICONE, FOR PG21
30	2	O 266	O-RING, SILICONE, FOT PG29
29	1	B-67950	CABLE ASS'Y, REMOTE PROBE-PREAMP
28			
27	A/R		HEX NUT WITH LOCK WASHER, #6
26	1	B-66877	IN LINE FILTER CABLE ASS'Y
25	1	A-66878	DOOR LOCK MTG. BRACKET DETAIL
24			
23			
22	1	N 366	RETAINING NUT
21	1	R 2110	RECEPTACLE
20	1	A-66734	HINGE DETAIL
19	2	B-66731	SWING-OUT DOOR FRAME DETAIL, TOP-BTM
18	2	B-66732	SWING-OUT DOOR FRAME DETAIL, SIDE
17	2	N 371	NUT, PG21
16	2	G 419	CABLE GLAND, PG21
15	1	B 548	WALL MTG BRACKET KIT (SET OF 4)
14	1	C-66758	BOX DRILLING DETAIL
13			
12	A/R		LOCK WASHER, #6
11	A/R		SCREW 6-32 x .375
10	1	B-66735	BACK PLATE DRILLING DETAIL
9	8	S 1150	STANDOFF, F-M, SS, 6-32 x 2.125
8	2	N 372	NUT, PG29
7	2	G 420	CABLE GLAND, PG29
6	1	D-65295B	CUSTOMER INTERFACE PCB ASS'Y
5	8	S 996	STANDOFF, MALE-FEMALE, SS, 6-32 x .75
4	1	D-70499	CUSTOMER INTERFACE SILKSCREEN DETAIL
3	1	NOTE	SWING OUT DOOR & PCB ASS'Y
2			
1	1	C-66740	MAIN DOOR SUB-ASS'Y

DO NOT SCALE DRAWING	UNLESS OTHERWISE SPECIFIED DIMENSIONS ARE IN INCHES	ANGULAR ±1/2°	LINEAR ±.02	ANGULAR ±1/2°	LINEAR ±.010
DFT: Andrew Xing	CHK: Andrew Xing	APP: Andrew Xing	ENGR: Andrew Xing	C.O. Andrew Xing	REFERENCE: Andrew Xing
SIGNATURES					
DATE					
5-31-96					

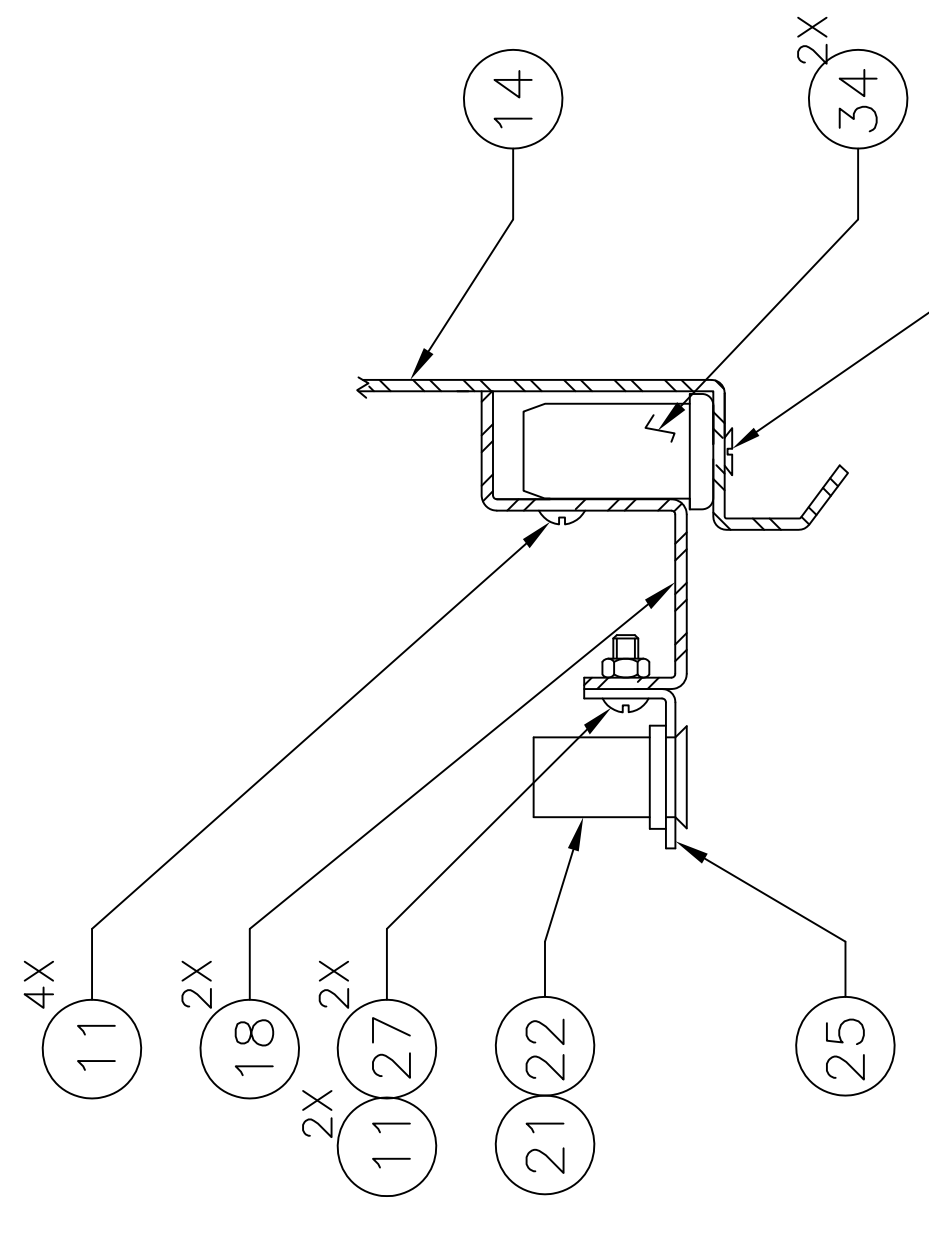
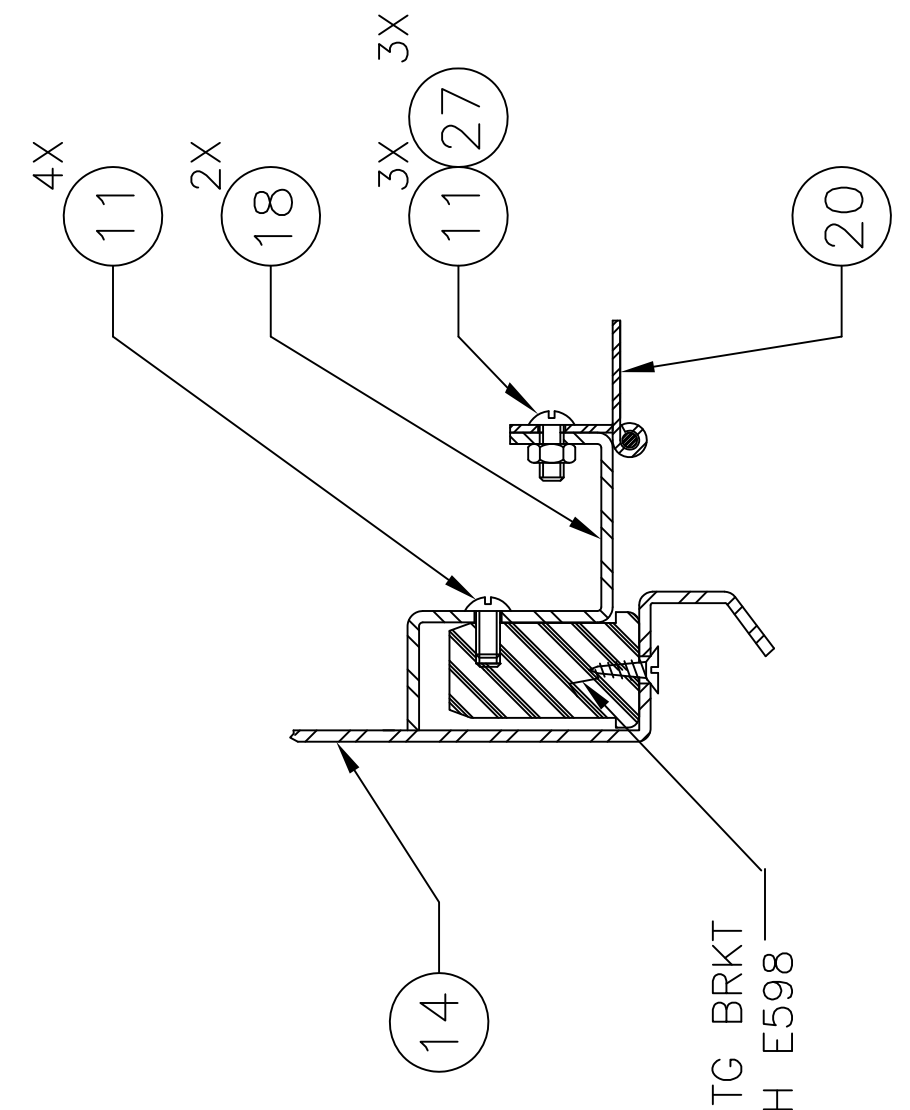
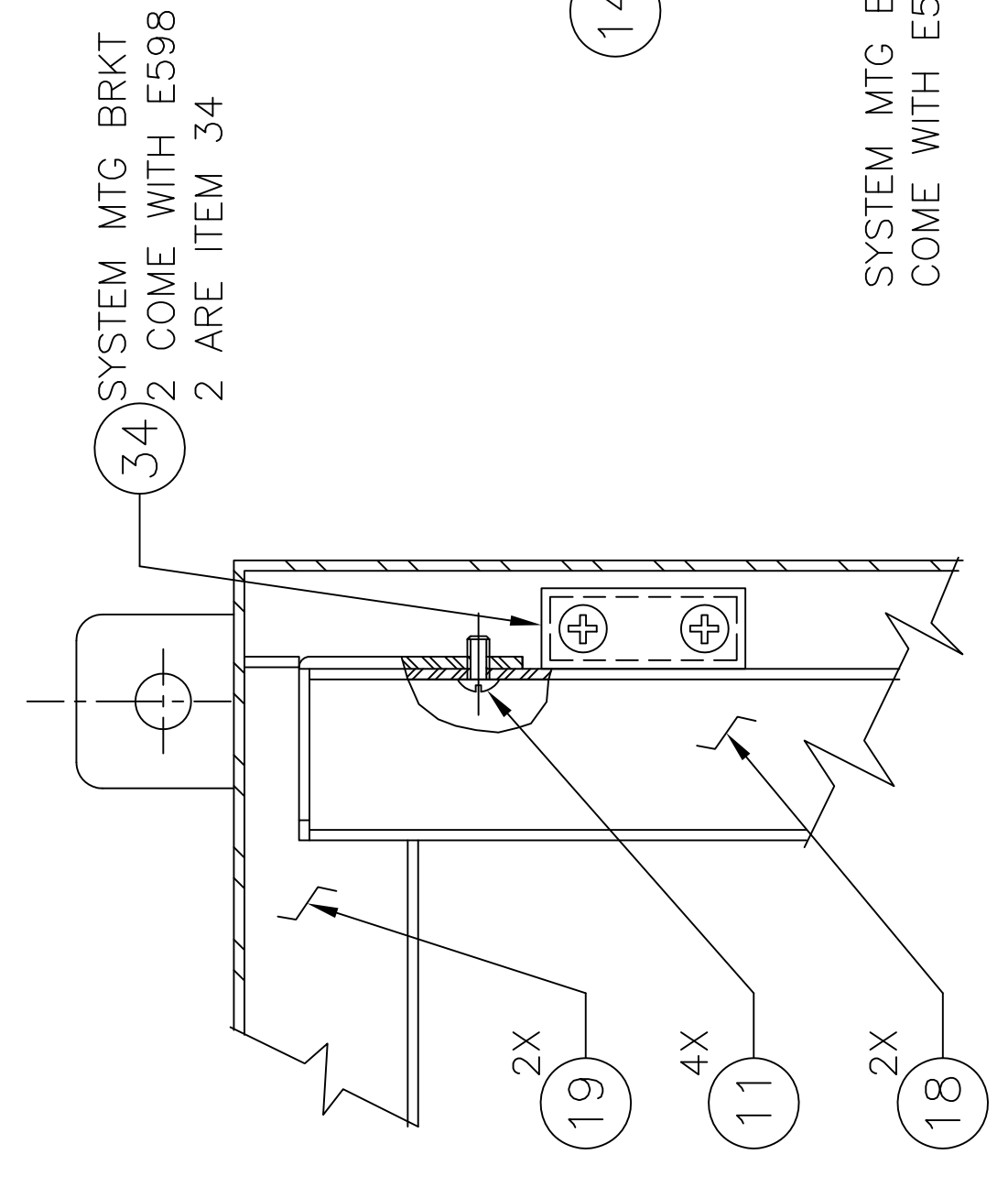
SCALE	1/2
TITLE	FINAL ASSEMBLY CONTROL UNIT MODEL 3010TB/PB
DWG. NO.	D-66190
SHEET	1 OF 2
REV.	12

REV.	DESCRIPTION	DATE	APP.	REV. BY
7	INC ECO 99-0591	1/8/99	AA	VF
8	INC ECO 00-0023	2/5/00	AA	VF
9	INC ECO 08-0198	10/27/08	JR	VF
10	INC ECO 08-0222	1/27/09	AA	VF
11	INC ECO 09-0030	3/9/09	AA	VF
12	INC ECO 14-0073	6/23/14	JR	VF

THIS DRAWING IS THE PROPERTY OF TELETYPE ANALYTICAL INSTRUMENTS AND CONTAINS CONFIDENTIAL INFORMATION. IT IS NOT TO BE COPIED, REPRODUCED OR USED WITHOUT WRITTEN PERMISSION.

TELETYPE Analytical Instruments A Business Unit of Teletype Instruments, Inc. City of Industry, California 91748, USA

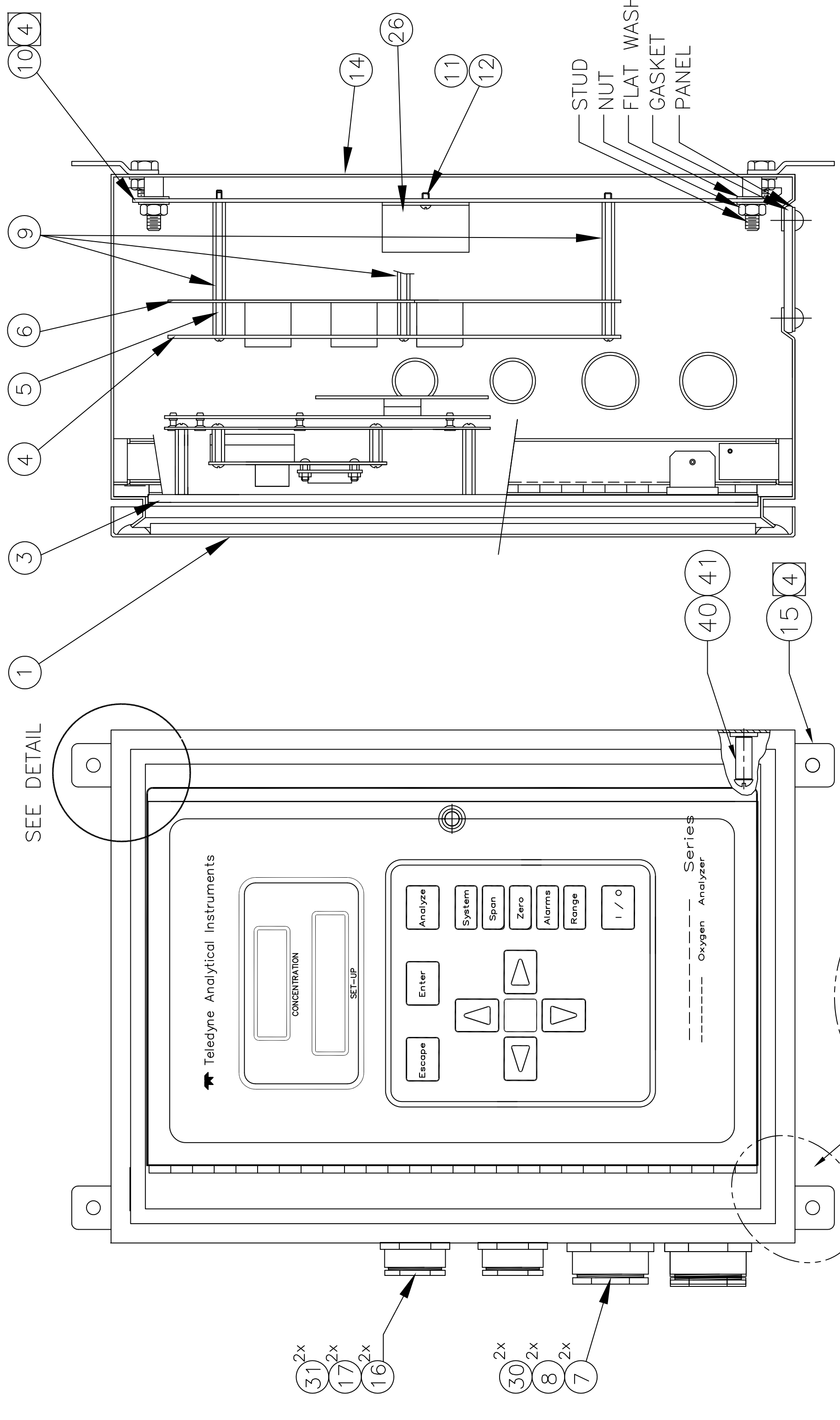




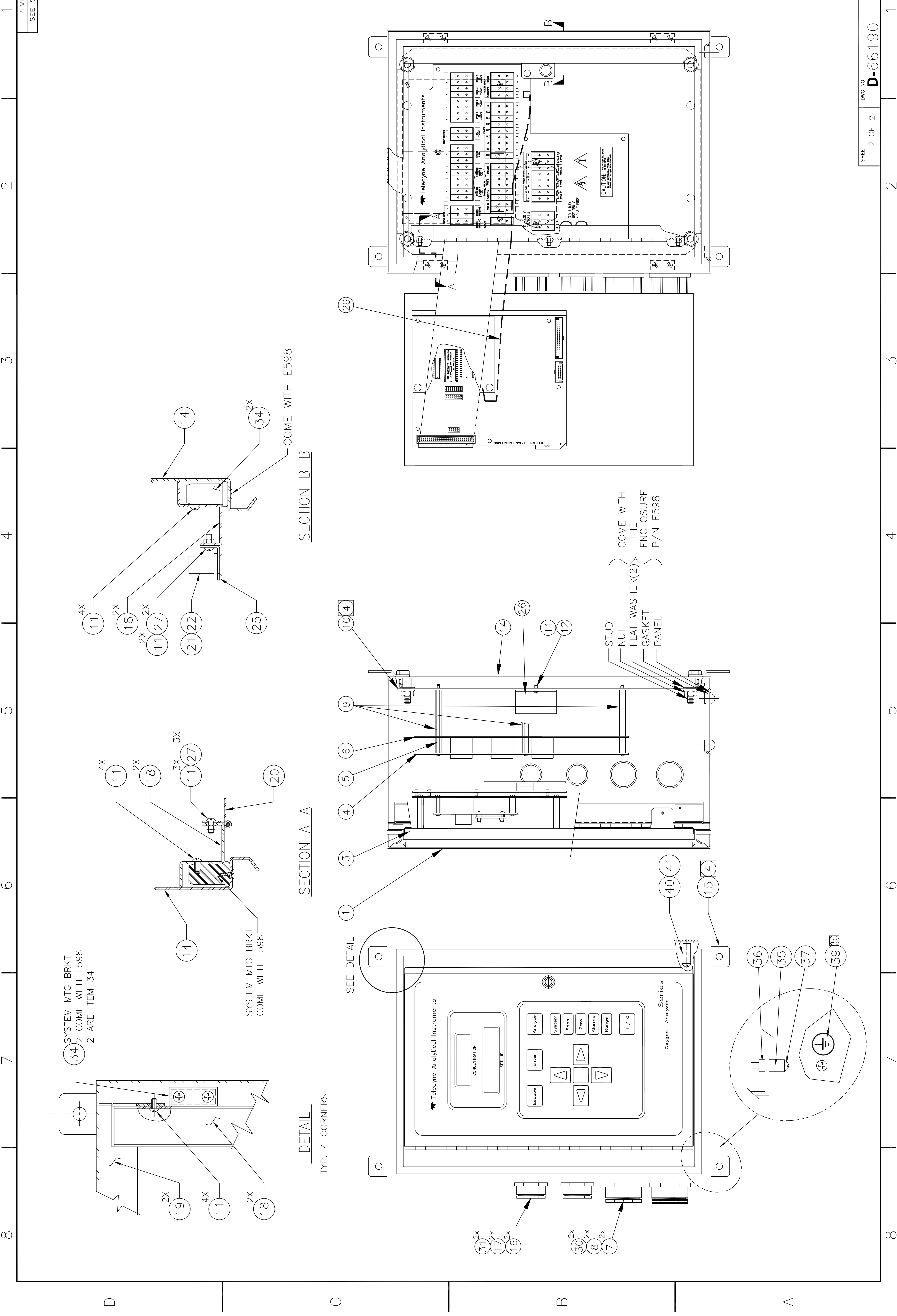
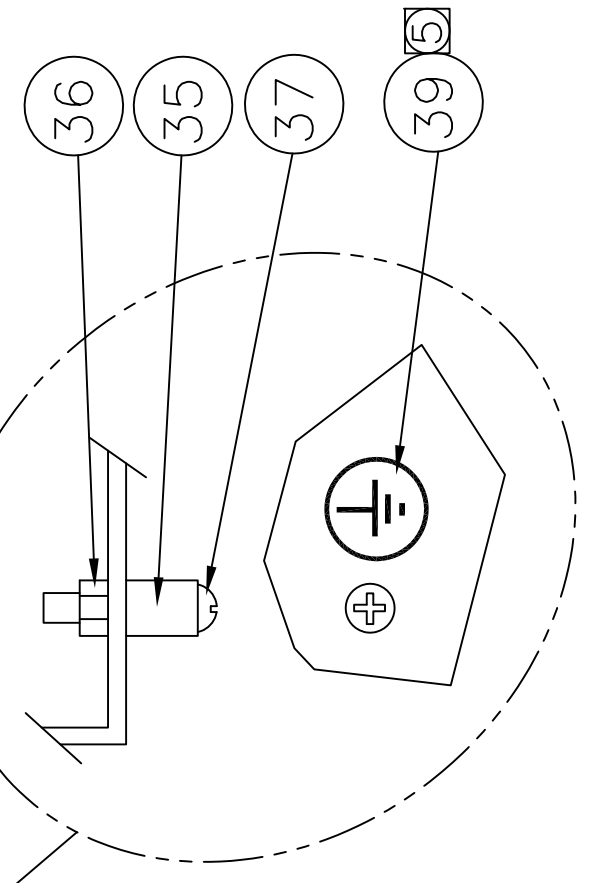
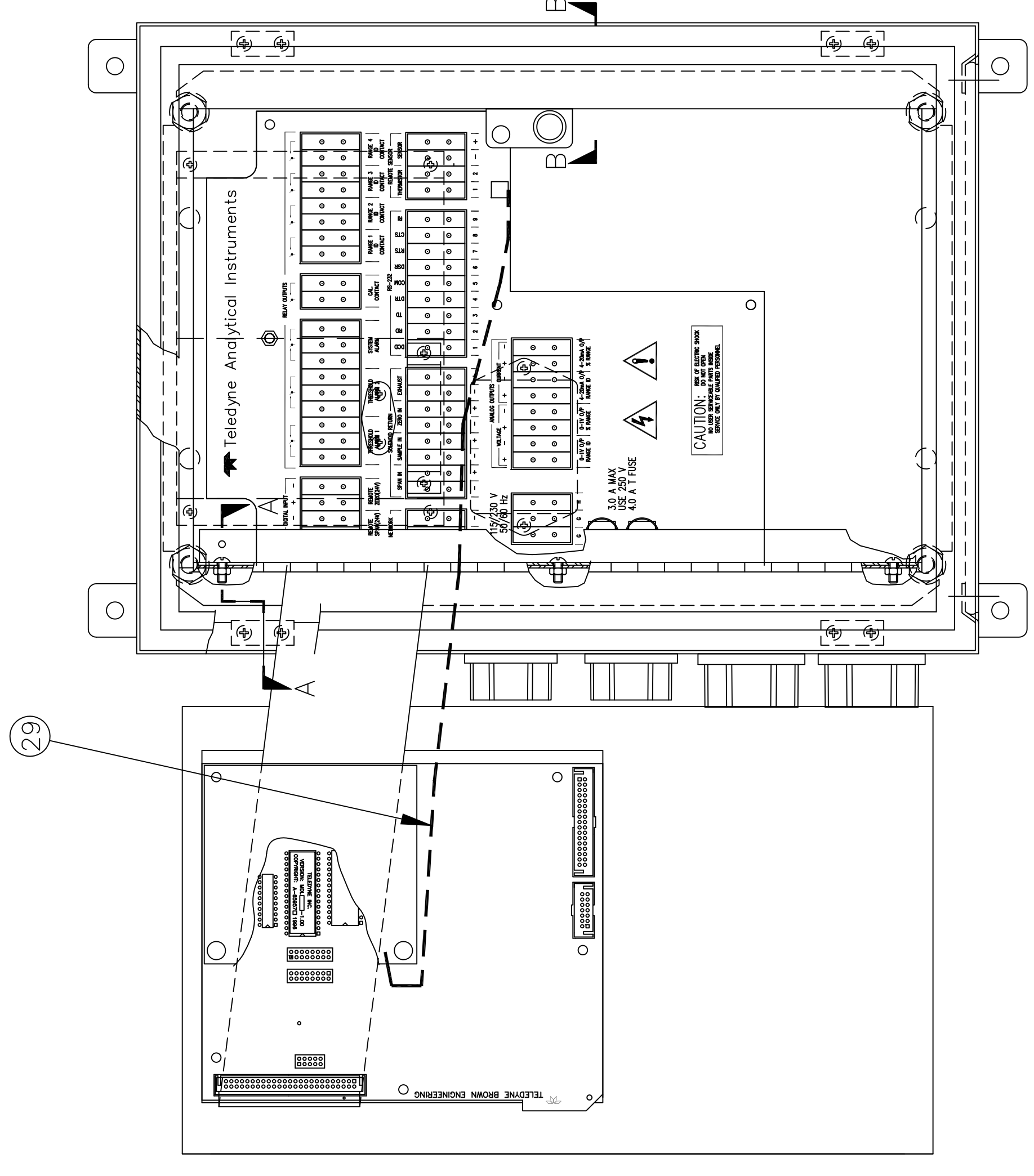
DETAIL

TYP. 4 CORNERS

SECTION A-A



SECTION B-B







NOTES: UNLESS OTHERWISE SPECIFIED.

1 THE SHIELD OF THE CABLE CONNECTED TO BARRIERS MUST BE GROUNDED TO THE ENCLOSURE.

2 ALTERNATIVE PARTS FOR ITEM 3:

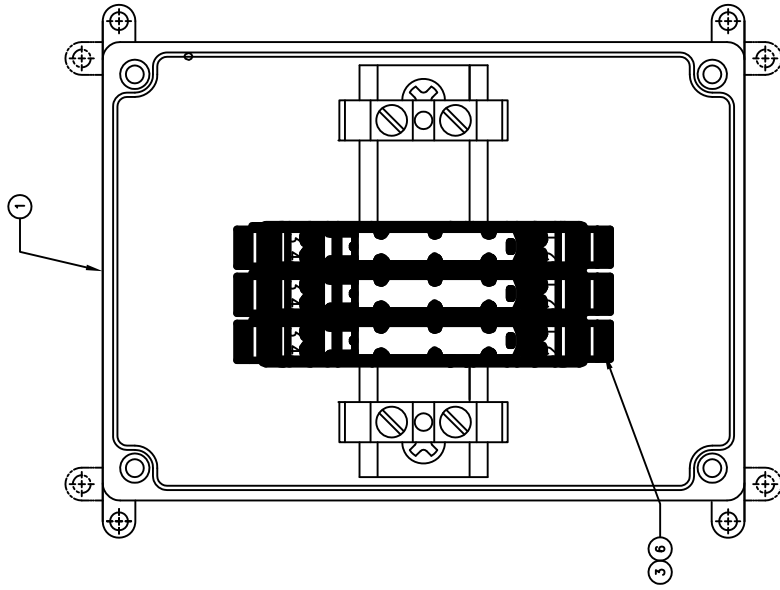
MANUFACTURER	TYPE AND/OR PART NUMBER	QUANTITY	
		CFG 1	CFG 2
MTL	Single Channel 7710 - P/N BP00103	3	1
	Dual Channels 7758 - P/N BP000102		1
	Dual channels 7760 - P/N BP00101		1
STAHL	Single Channel 9001/01-083-442-10	3	1
	Single Channel 9001/01-086-270-10		3
BARTEC	Single Channel 19-1001-0501/5010 - P/N B544	3	1
	Dual Channels 19-2010-1872/7000 - P/N B546		1
PEPPERL + FUCHS	Single Channel Z710	3	1

NOTE: CFG 1

IS 3 BARRIERS (SINGLE) FOR 3 CHANNELS.

NOTE: CFG 2

IS 2 BARRIERS (1 SINGLE CHANNEL & 1 DUAL CHANNEL FOR 3 CHANNELS).



ITEM	QTY	PART NO.	DESCRIPTION
6	1	BP00103	BARRIER, INTRINSIC SAFE, SINGLE CHANNEL
5	REF	C66426-RS	ROUTE SHEET
4			
3	1	BP00101	INTRINSIC SAFE ZENER BARRIER, TWO CHANNELS
2			
1	1	BP00099	BARRIER BOX

DO NOT SCALE DRAWING UNLESS OTHERWISE SPECIFIED DIMENSIONS ARE IN INCHES	DATE	TITLE	SCALE
UNLESS OTHERWISE SPECIFIED DIMENSIONS ARE IN INCHES	5-17-98	HOUSING ASSEMBLY SAFETY BARRIERS TRACE/PERCENT O2	1/1
TOLERANCE: ANGULAR ±1/2°			SIM
			SHEET 1 OF 1
			REV 4

SIGNATURES	DATE	TITLE	SCALE
DRFT: [Signature]	5-17-98	HOUSING ASSEMBLY SAFETY BARRIERS TRACE/PERCENT O2	1/1
CHK:			SIM
APPR:			SHEET 1 OF 1
ENGR: A. XING			REV 4
C.O.			
REFERENCE: CAD ID C66426-4			

REV	DESCRIPTION	DATE	APP.	REV. BY
2	INC ECO 97-0241	4/2/97	S.B.	M.V.
3	INC ECO 97-0460	4/22/98	WTC	VF
4	INC ECO 17-0030	1/22/18	AA	VF

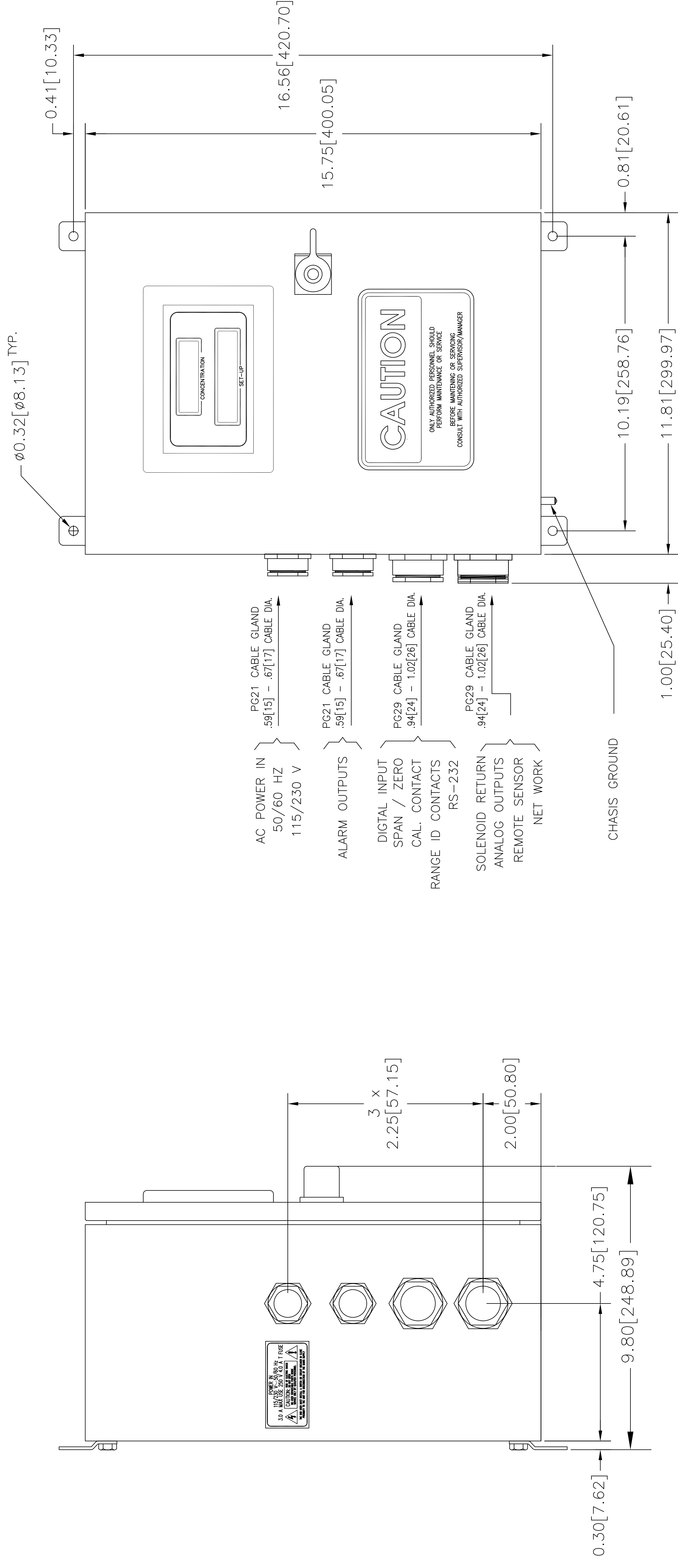
Use and Disclosure of Data  
 "Information contained herein is classified as EAR99 under the U.S. Export Administration Regulation. Export, reexport or diversion contrary to U.S. law is prohibited."



NOTES: UNLESS OTHERWISE SPECIFIED.

1. (a). UNIT: INCHES[mm]

(b). ALL DIMENSIONS IN INCHES AND MILLIMETERS



REV	DESCRIPTION	DATE	APP.	REV.
0	Initial Release ECO 96-553	8/19/96	AX	--

REVISIONS

ITEM	QTY	PART NO.	DESCRIPTION
BILL OF MATERIAL			
DO NOT SCALE DWG. THIS DRAWING IS THE PROPERTY OF TELEDYNE ANALYTICAL INSTRUMENTS AND CONTAINS CONFIDENTIAL INFORMATION. IT IS NOT TO BE COPIED, REPRODUCED OR USED WITHOUT WRITTEN PERMISSION.			
TOLERANCE UNLESS OTHERWISE SPECIFIED: ANGULAR ±1/2°			
LINEAR ±.01			
XXX ±.02			
XXX ±.010			
SIGNATURES		DATE	
DRFT: <i>[Signature]</i>		7-18-96	
CHK:			
APPR: A. XING			
ENGR: A. XING			
S.O.			
CAD ID: D64808			
REFERENCE		D-64808	

SCALE	TITLE
1/2	OUTLINE DIAGRAM
SIM	CONTROL UNIT
SHEET 1 OF 1	3010TB/PB/TBC/PBC

REV.	DWG. NO.
0	D-64808



NOTES: UNLESS OTHERWISE SPECIFIED.

1. FINAL ASS'Y: 3010TBC

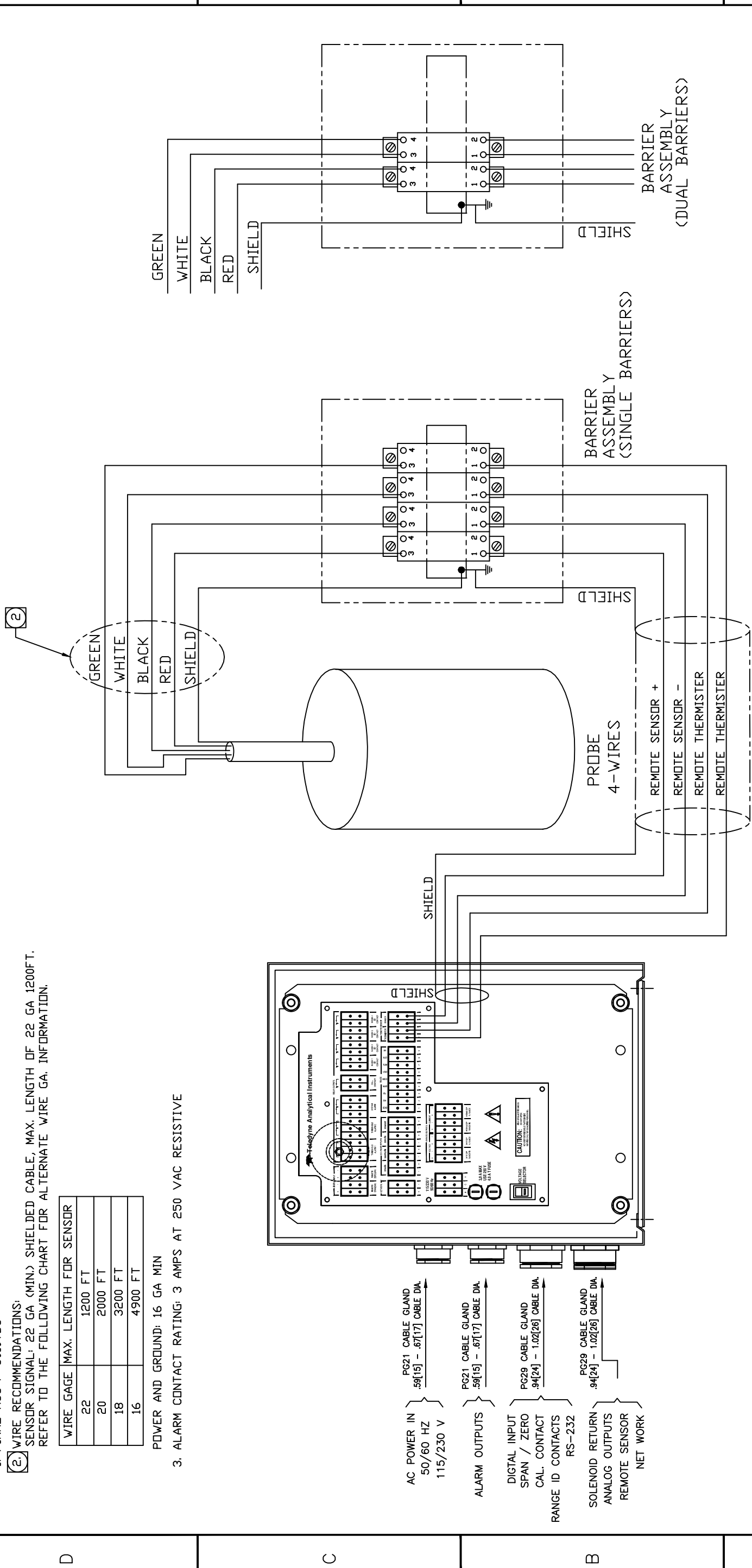
2. WIRE RECOMMENDATIONS:

SENSOR SIGNAL: 22 GA (MIN.) SHIELDED CABLE, MAX. LENGTH OF 22 GA 1200FT.  
REFER TO THE FOLLOWING CHART FOR ALTERNATE WIRE GA. INFORMATION.

WIRE GAGE	MAX. LENGTH FOR SENSOR
22	1200 FT
20	2000 FT
18	3200 FT
16	4900 FT

POWER AND GROUND: 16 GA MIN

3. ALARM CONTACT RATING: 3 AMPS AT 250 VAC RESISTIVE



REV	DESCRIPTION	DATE	APP.	REV.
0	Initial Release	05/22/97	A.A.	R.N.

ITEM	QTY	PART NO.	DESCRIPTION
BILL OF MATERIAL			
DO NOT SCALE DWG			
TOLERANCE UNLESS OTHERWISE SPECIFIED: ANGULAR ±1/2°			
LINEAR ±.005			
HOLE DIA ±.010			
CITY OF INDIANAPOLIS			
A TELEPHONE TECHNOLOGICAL CORP.			
City of Indianapolis, California, 91748, USA			
TITLE: MODEL 3010TBC INTERCONNECTION WIRING DIAGRAM			
SCALE: NONE			
SHEET: 1 OF 1			
REV: 1			
DWG NO.: D-68404			
REFERENCE: CAD ID DB6404-0			

Use and Disclosure of Data  
 Information contained herein is classified as EAR99 under the  
 U.S. Export Administration Regulations.  
 Export, reexport or diversion contrary to U.S. law is prohibited.